

## Series 4WP2 and 4WP2T8 Worm Gear Power Winches

Model 4WP2T8-2000-8

Up to 2000 lb capacity

- **115 Volt Single Phase Electric Motor** includes power cord with grounded plug and a momentary contact-type push button pendant control on a control cord.
- **Machine Cut Worm Gears** provide accurate operation and long lasting service.
- **Enclosed Oil Bath** provides continuous lubrication of gears to minimize wear. Oil seals keep oil in and dirt out.
- **Internal Mechanical Brake** provides positive load control for lifting and lowering operations.
- **Ball Bearings** and self-aligning bronze bearings provide smooth and efficient operation.
- **Pressure Plate** on series 4WP2T8 only, applies pressure to drum and wire rope to help maintain uniform winding.
- **Dual Function Cable Anchor** for quick disconnect of wire rope with swaged ball fitting, or recessed cable anchor with set screw for wire rope with unfinished end.
- **Mounting Options** include floor, wall, or ceiling.
- **Two-year Limited Warranty**



Wire rope assemblies sold separately

- **Cast Aluminum** construction, for lightweight strength.
- **Corrosion Resistant** durable paint finish protects against corrosion in harsh environments.
- **Large Diameter Drums** minimize wear to the wire rope and help extend its life.
- **Clutch Model** allows operator to manually disengage the drum to rapidly unwind wire rope. **Clutch models do not include pressure plates.**

### Series 4WP2 and 4WP2T8 – Performance Characteristics – Section 2

series	description	amps		load rating (lb)			wire rope dia. (in)	line speed (fpm)		drum capacity (ft) <sup>1</sup>			approx. ship wt. (lb)
		motor hp	full load	1st layer	mid drum	full drum		1st layer	full drum	1st layer	mid drum	full drum	
4WP2 <sup>2</sup>	includes controls	1.3	16	2000	1500	1200	1/4	8	13	11	35	77	85
4WP2T8-2000-8 <sup>4</sup>	includes controls ATLAS winch – 8" drum – for pulling or lifting	1.3	16	2000	1200	800	1/4 5/16	8 8	19 19	19 15	130 85	280 190	101
4WP2TC-2000-8 <sup>4</sup>	includes controls clutch model – 5.5" drum – for horizontal pulling only	1.3	16	2000	1200	800	1/4	8	19	12	87	190	106

**Motor Options** – standard motor is 115/1/60 VAC TEFC, for other configurations add motor code to model number when ordering.

Example: 4WP2T8-2000-8-PN (pneumatic winch)

- A<sup>5</sup> 115 volt 1 phase – no controls or power cord – TENV
- B<sup>5</sup> 230 volt 1 phase – no controls or power cord – TEFC
- D<sup>5</sup> 230 volt 3 phase – no controls or power cord – TEFC
- E<sup>5</sup> 460 volt 3 phase – no controls or power cord – TEFC
- F all other voltages or hertz
- PN 8-vane air motor w/controls (mounted)

<sup>1</sup> Actual drum capacities may be 25-30% less, due to nonuniform winding. Tension in wire rope will also affect drum capacity.

<sup>2</sup> Model 4WP2, 115 VAC motor includes 8 ft power cord with grounded plug, and push button pendant control on 6 ft cord.

<sup>4</sup> For 4WP2T8 & 4WP2TC, 115 VAC motor includes 16 ft power cord with grounded plug, and push button pendant control on 16 ft cord.

<sup>5</sup> Controls are sold separately for all non-standard electric motors (A, B, D, and E), see table below.

Please contact factory or nearest Thern Distributor for firm fixed price and delivery.

#### Notes:

- For magnetic reversing starters see page 48.
- See page 47 for detailed information on standard drum control switches.
- Custom controls are available including wireless remote control, variable speed control, electronic overload, and enclosures for special environments.

### Control Options and Accessories – Section 2

model	description	approx. ship wt.
EL1CS <sup>7</sup>	NEMA 1 control switch – mounted and wired	3 lb
EL1CSW <sup>7</sup>	NEMA 4 watertight control switch – mounted and wired	7 lb
TPL-4WP2T8	Two Part Line Kit – not available for 4WP2 Series	4 lb

<sup>7</sup> Controls for 115 volt, single phase, 60 cycle include an 8 ft power cord with grounded plug. Please contact factory or nearest Thern Distributor for firm fixed price and delivery.

See Dimensions on Next Page

**Options and Accessories**

- **Emergency Hand Crank** for manual operation in case of power failure. Does not include handle.
- **Two Part Line Kit** to convert to double line rigging. **Not available for 4WP2 Series.**
- **Rotary Limit Switches** for secondary shut-off to limit load travel in one or two directions. **Not available on clutch models.**
- **Special Motors and Controls** including severe duty and explosion proof.
- **Special Finishes** for hazardous environments.
- **Torque Limiters** as part of the motor controls on electric models.

**Important:**  
It is the owner's or operator's responsibility to determine the suitability of the equipment to its intended use. Study all applicable codes, manuals, and regulations. Be sure to read the Owner's Manual supplied with the equipment before operating it.

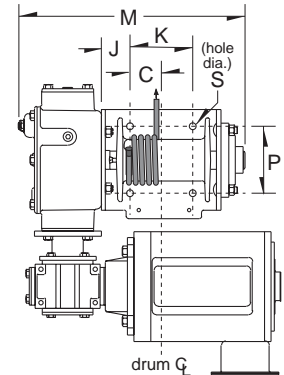
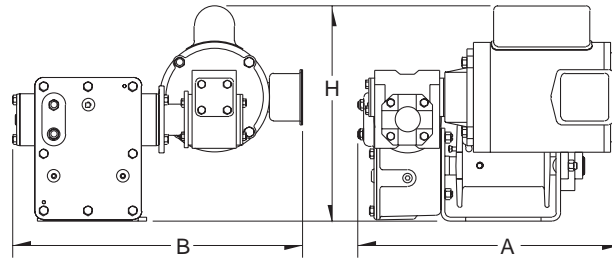
**Side View**

**Rear View**

**Top View**

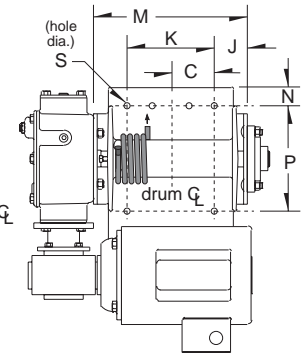
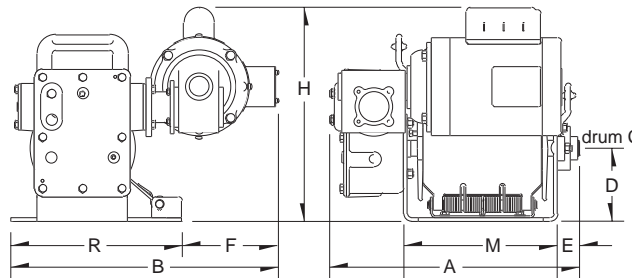
Series 4WP2

Install wire rope correctly as shown, or brake will not operate properly.



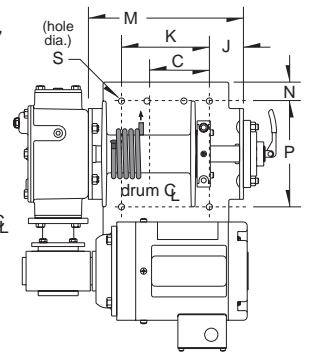
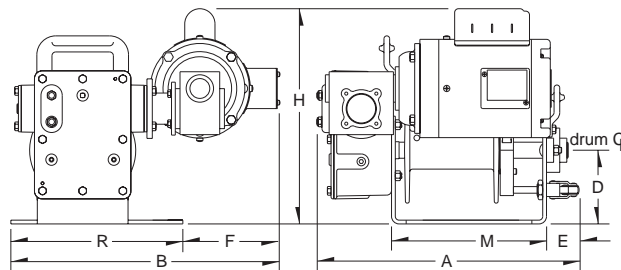
Series 4WP2T8

Install wire rope correctly as shown, or brake will not operate properly.



Series 4WP2TC clutch models

Install wire rope correctly as shown, or brake will not operate properly.

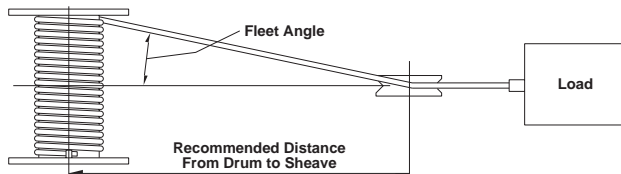


**Series 4WP2 and 4WP2T8 – Dimensions (in)**

model number	A <sup>1</sup>	B <sup>1</sup>	C	D	E	F	H <sup>1</sup>	J	K	M	N	P	R	S (hole dia.)
4WP2	15.63	17.28	1.72	–	–	–	12.84	1.72	3.75	13.50	–	4.00	–	.41
4WP2T8-2000-8	16.62	17.80	2.75	4.88	1.44	6.43	14.25	2.25	5.81	10.25	1.25	7.00	11.38	.41
4WP2TC-2000-8	17.34	17.80	4.02	4.88	2.16	6.43	14.25	2.25	5.81	10.25	1.25	7.00	11.38	.41

Dimensions are for reference only and subject to change without notice.

<sup>1</sup> Dimensions A, B and H may vary with motor selection.



**Series 4WP2 and 4WP2T8 – Drum Dimensions**

model extension	drum diameter	flange diameter	drum width	fleet angle distance <sup>4</sup>
4WP2	2.50 in	5.00 in	5.00 in	8 ft
4WP2T8-2000-8	2.50 in	7.00 in	8.00 in	13 ft
4WP2TC-2000-8	2.50 in	7.00 in	5.50 in	9 ft

Dimensions are for reference only and subject to change without notice.

<sup>4</sup> Recommended minimum distance between drum and lead sheave for smooth drum.

## Series 4WP2D High Speed Worm Gear Power Winches

Model 4WP2D8-1500-40

Up to 1500 lb capacity

- **Direct Drive Design** delivers high speed operation in both directions, even under full load.
- **Machine Cut Bronze Worm Gears** provide accurate operation and long lasting service.
- **Enclosed Oil Bath** provides continuous lubrication of gears to minimize wear. Oil seals keep oil in and dirt out.
- **Internal Mechanical Brake** provides positive load control for lifting and lowering operations.
- **Ball Bearings** and self-aligning bronze bearings provide smooth and efficient operation.
- **Pressure Plate** applies pressure to drum and wire rope to help maintain uniform winding. Not available on clutch models.
- **Dual Function Cable Anchor** for quick disconnect of wire rope with swaged ball fitting, or recessed cable anchor with set screw for wire rope with unfinished end.
- **Mounting Options** include floor, wall, or ceiling.
- **Two-year Limited Warranty**
- **Cast Aluminum** construction, for lightweight strength.
- **Corrosion Resistant** durable paint finish protects against corrosion in harsh environments.



Wire rope assemblies and controls sold separately

- **Large Diameter Drums** minimize wear to the wire rope and help extend its life.
- **Clutch Model** allows operator to manually disengage the drum to rapidly unwind wire rope. **Clutch models do not include pressure plates.**

### Series 4WP2D – Performance Characteristics – Section 2

 When ordering, please indicate Model Number and Extensions  
 Examples: 4WP2D8-800-26-A (without clutch); 4WP2DC-800-40-A (with clutch)

model number	model number extensions			motor hp	load rating(lb)			wire rope dia.(in)	line speed (fpm)		drum capacity(ft) <sup>1</sup> approx. <sup>2</sup>			
	load rating	line speed	motor codes		1st layer	mid drum	full drum		1st layer	full drum	1st layer	mid drum	full drum	ship wt.(lb)
<b>High Speed Atlas winches for lifting or pulling</b>														
4WP2D8	800	26	A,B,D,E	1	800	460	330	1/4	26	65	19	130	280	100
4WP2D8	800	40	D,E	1.5	800	460	330	1/4	40	97	19	130	280	100
4WP2D8	1500	26	D,E	2	1500	900	600	1/4	26	65	19	130	280	100
4WP2D8	1500	40	B,D,E	3	1500	900	600	1/4	40	97	19	130	280	100
<b>High Speed Clutch Models for HORIZONTAL PULLING ONLY</b>														
4WP2DC	800	26	A,B,D,E	1	800	460	330	1/4	26	65	12	87	190	100
4WP2DC	800	40	D,E	1.5	800	460	330	1/4	40	97	12	87	190	100
4WP2DC	1500	26	D,E	2	1500	900	600	1/4	26	65	12	87	190	100
4WP2DC	1500	40	B,D,E	3	1500	900	600	1/4	40	97	12	87	190	100

#### Motor Codes

A	115 volt	1 phase
B	230 volt	1 phase
D	230 volt	3 phase
E	460 volt	3 phase
F	All other voltages – please contact factory.	
PN	please contact factory	

- For magnetic reversing starters see pg. 48.
- See pg. 47 for detailed information on standard drum control switches.
- Custom controls are available including wireless remote control, variable speed control, electronic overload, and enclosures for special environments.

<sup>1</sup> Actual drum capacities 25-30% less, due to nonuniform winding. Wire rope tension will also affect drum capacity.

<sup>2</sup> Weight may vary with motor.

Please contact factory or nearest Thern Distributor for firm fixed price and delivery.

#### Control Options and Accessories – Section 2

model	description	115/1/60 <sup>5</sup>	230/1/60	230/3/60	460/3/60
EL1CS	NEMA 1	to 1.5 hp	to 2 hp	to 3 hp	to 3 hp
EL2CS	NEMA 1	to 1.5 hp	to 3 hp	to 5 hp	to 7.5 hp
EL1CSW	NEMA 4 – watertight	to 1.5 hp	to 2 hp	to 3 hp	to 3 hp
EL2CSW	NEMA 4 – watertight	to 1.5 hp	to 3 hp	to 5 hp	to 7.5 hp
EL1PD	6 ft pendant control	to 1 hp	—	—	—
TPL-4WP2T8	Two Part Line Kit	—	—	—	—

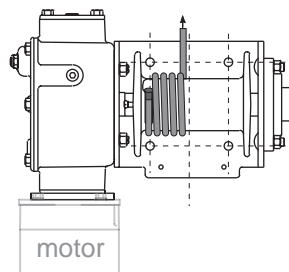
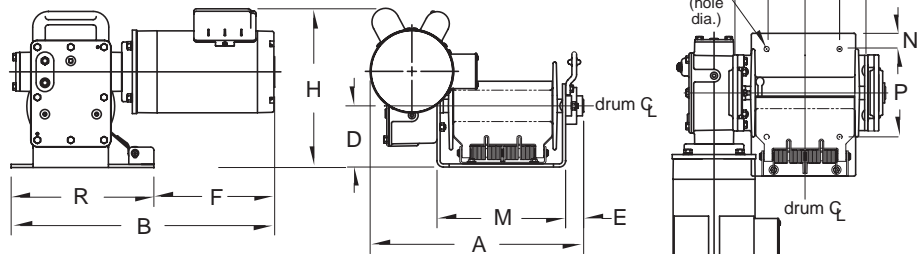
<sup>5</sup> Controls for 115V single phase motors up to 1 hp, include an 8 ft power cord with grounded plug. Please contact factory or nearest Thern Distributor for firm fixed price and delivery.

**Options and Accessories**

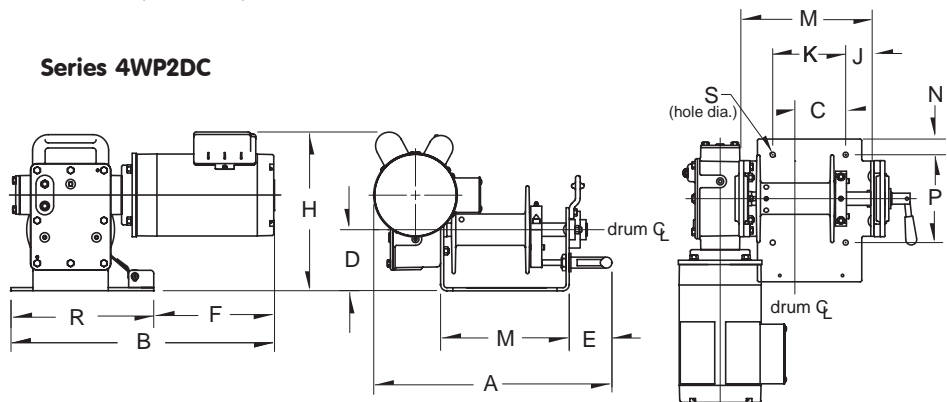
- **Emergency Hand Crank** for manual operation in case of power failure. Does not include handle.
- **Two Part Line Kit** to convert to double line rigging.
- **Rotary Limit Switches** for secondary shut-off to limit load travel in one or two directions. **Not available on clutch models.**
- **Special Motors and Controls** including severe duty and explosion proof.
- **Special Finishes** for hazardous environments.
- **Torque Limiters** as part of the motor controls on electric models.

**Important:**

It is the owner's or operator's responsibility to determine the suitability of the equipment to its intended use. Study all applicable codes, manuals, and regulations. Be sure to read the Owner's Manual supplied with the equipment before operating it.

**Side View**
**Rear View**
**Top View**
**Series 4WP2D8**


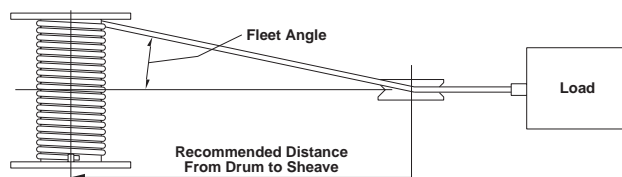
Install wire rope correctly as shown, or brake will not operate properly.

**Series 4WP2DC**

**Series 4WP2D – Dimensions (in)**

series	A <sup>1</sup>	B <sup>1</sup>	C	D	E	F	H <sup>1</sup>	J	K	M	N	P	R	S (hole dia.)
4WP2D8	17.50	21.00	2.75	5.00	1.50	9.50	12.75	2.25	5.81	10.25	1.25	7.00	11.50	.41
4WP2DC	19.00	21.00	4.00	5.00	3.50	9.50	12.75	2.25	5.81	10.25	1.25	7.00	11.50	.41

Dimensions are for reference only and subject to change without notice.

<sup>1</sup> Dimensions A, B and H may vary with motor selection.


**Series 4WP2D – Drum Dimensions**

model extension	drum diameter	flange diameter	drum width	fleet angle distance <sup>4</sup>
4WPD8	2.50 in	7.00 in	8.00 in	13 ft
4WPD8C	2.50 in	7.00 in	5.50 in	9 ft

Dimensions are for reference only and subject to change without notice.

<sup>4</sup> Recommended minimum distance between drum and lead sheave for smooth drum.