

5PT30

Authorized Sales & Service
J. HERBERT CORPORATION
Call 1-800-255-0588
407-846-0588 Fax: 846-1066
info@jherbertcorp.com

Visit us online:
www.jherbertcorp.com

ADMIRAL SERIES

Thern Admiral Series transportable davit crane offers the best of all worlds, handling large loads up to 1.5 tons, with an adjustable boom for high lifts and almost 10 feet of reach, and can still be disassembled for relocation.



Model 5PT30J-M1
Base 5BP30

ISO
9001:2008
REGISTERED



3000 lb Capacity Transportable Davit Crane

- Transportable
- Adjustable 5 Boom Lengths
- Adjustable Boom Angle
- Bearings for Smooth 360° Rotation
- Manual or Power Winch Operation
- Three Corrosion-Resistant Finishes
- Mast Locks in Six Positions
- Variety of Bases
- 2-Year Warranty

 **THERN**

LEAVE THE HEAVY LIFTING TO US

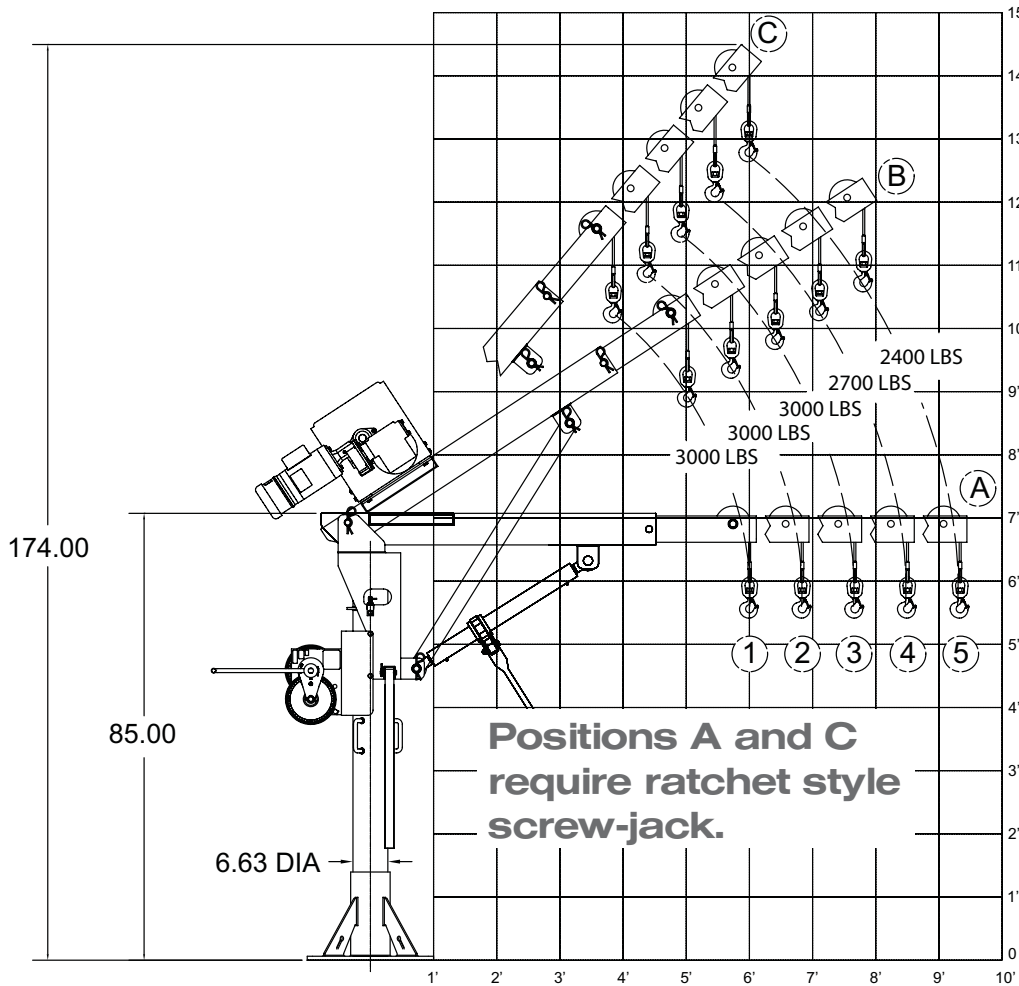
HAND / POWER / HYDRAULIC / AIR WINCHES • DAVIT CRANES

Winona, MN USA | www.thern.com

PERFORMANCE

Series 5PT30 with Pedestal Base

ADMIRAL
3000

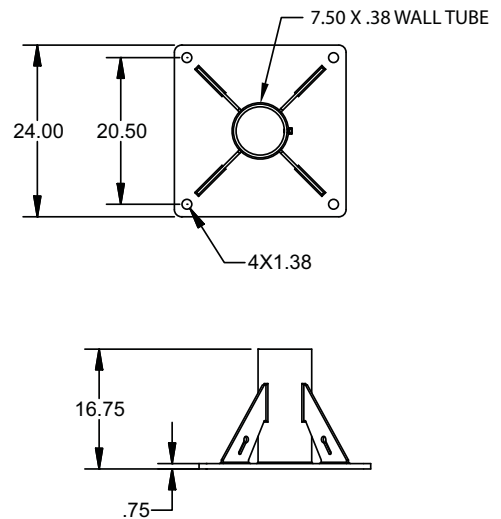


**Admiral 5PT30 On Pedestal Base
Upright Reach & Height Above Floor**

| Boom Position | Hook Reach | | Hook Height | |
|---------------|------------|------|-------------|------|
| | (in) | (mm) | (in) | (mm) |
| A-1 | 72 | 1829 | 66 | 1677 |
| A-2 | 82 | 2083 | 66 | 1677 |
| A-3 | 92 | 2337 | 66 | 1677 |
| A-4 | 102 | 2591 | 66 | 1677 |
| A-5 | 112 | 2845 | 66 | 1677 |
| B-1 (fixed) | 60 | 1524 | 106 | 2693 |
| B-2 (fixed) | 69 | 1753 | 112 | 2845 |
| B-3 (fixed) | 77 | 1956 | 117 | 2972 |
| B-4 (fixed) | 85 | 2159 | 123 | 3125 |
| B-5 (fixed) | 94 | 2388 | 128 | 3252 |
| C-1* | 46 | 1169 | 122 | 3099 |
| C-2* | 53 | 1347 | 130 | 3302 |
| C-3* | 59 | 1499 | 137 | 3480 |
| C-4* | 66 | 1677 | 145 | 3683 |
| C-5* | 72 | 1829 | 153 | 3887 |

* Boom position requires purchasing the screw-jack.
Dimensions are for reference only and subject to change without notice.

Pedestal Base

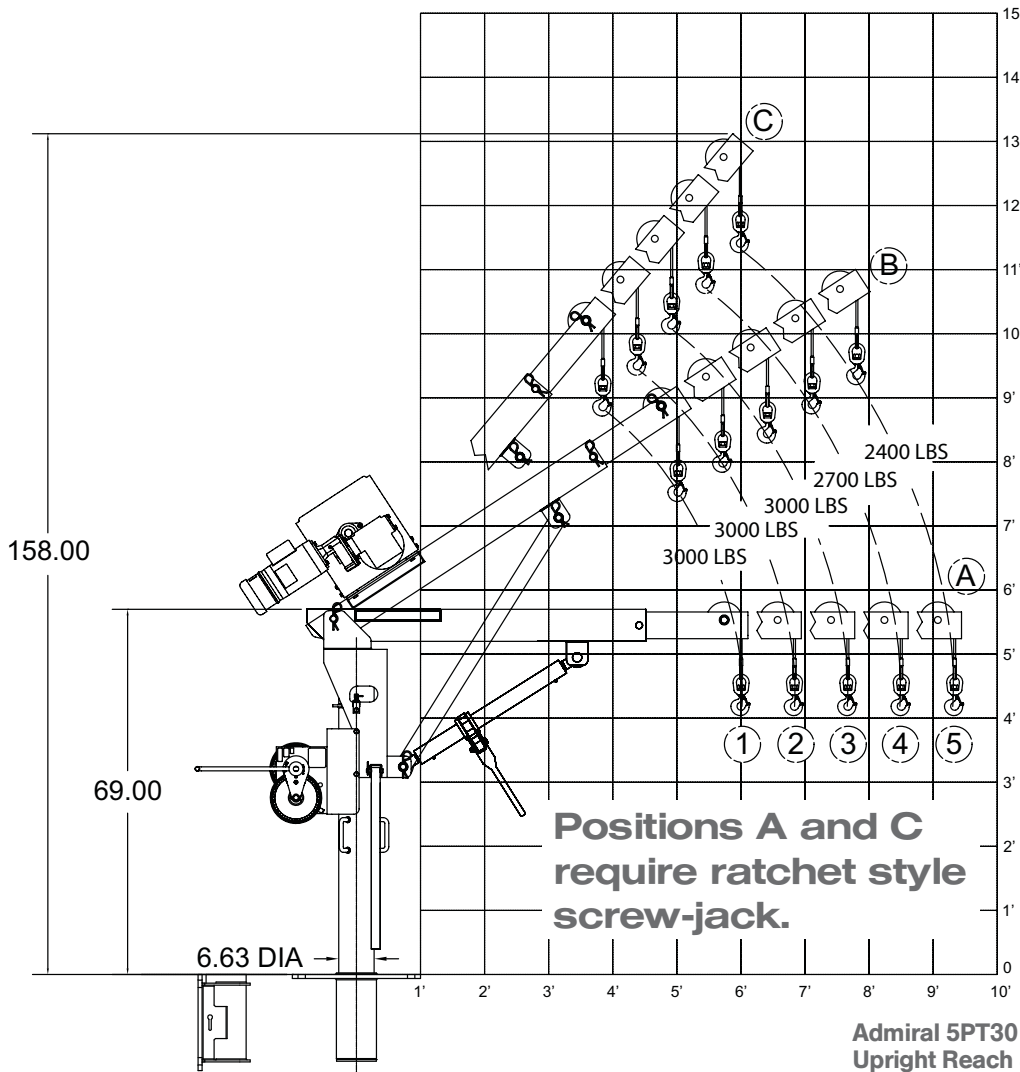


These products are not for lifting people or things over people.

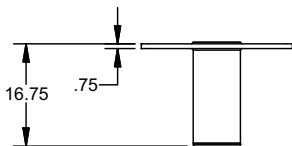
PERFORMANCE

Series 5PT30 with Socket or Wall Mount Base

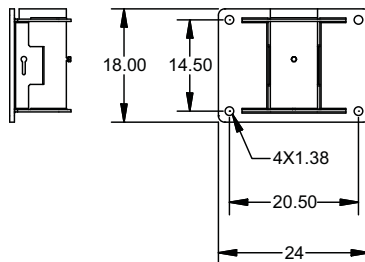
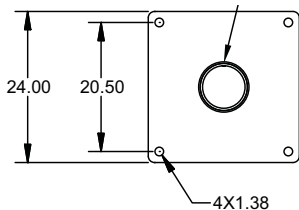
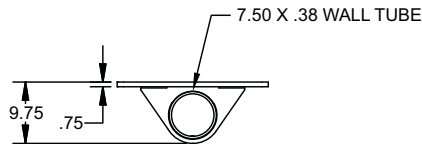
ADMIRAL
3000



Socket Base



Wall Base



Admiral 5PT30 On Pedestal Base
Upright Reach & Height Above Floor

| Boom Position | Hook Reach | | Hook Height | |
|---------------|------------|------|-------------|------|
| | (in) | (mm) | (in) | (mm) |
| A-1 | 72 | 1829 | 50 | 1270 |
| A-2 | 82 | 2083 | 50 | 1270 |
| A-3 | 92 | 2337 | 50 | 1270 |
| A-4 | 102 | 2591 | 50 | 1270 |
| A-5 | 112 | 2845 | 50 | 1270 |
| B-1 (fixed) | 60 | 1524 | 90 | 2286 |
| B-2 (fixed) | 69 | 1753 | 96 | 2439 |
| B-3 (fixed) | 77 | 1956 | 101 | 2566 |
| B-4 (fixed) | 85 | 2159 | 107 | 2718 |
| B-5 (fixed) | 94 | 2388 | 112 | 2845 |
| C-1* | 46 | 1169 | 106 | 2693 |
| C-2* | 53 | 1347 | 114 | 2896 |
| C-3* | 59 | 1499 | 121 | 3074 |
| C-4* | 66 | 1677 | 129 | 3277 |
| C-5* | 72 | 1829 | 137 | 3480 |

* Boom position requires purchasing the screw-jack.
Dimensions are for reference only and subject to change without notice.

Ther products are not for lifting people or things over people.

CONFIGURATIONS

Series 5PT30 Crane Configurations

| Model | Description | Weight | |
|--------|---|--------|------|
| | | (lb) | (kg) |
| 5PT30 | Up to 3000 lbs - red enamel finish - boom brace - no winch | 563 | 256 |
| 5PT30J | Up to 3000 lbs - red enamel finish - adjustable ratchet-jack - no winch | 628 | 285 |
| G | galvanized finish - on crane and ratchet-jack | - | - |
| X | epoxy finish - on crane and ratchet-jack | - | - |
| M1 | M452B-K Spur gear hand winch - enamel finish | 78 | 36 |
| M1X | M452BEGRA-K Spur gear hand winch epoxy finish | 78 | 36 |
| E5A1 | 4WS3M6-K1A1 Electric winch - 115 VAC, 1 phase with 6 ft pendant control - enamel finish | 300 | 137 |
| E5XA1 | 4WS3M6-K1XA1 Electric winch - 115 VAC, 1 phase with 6 ft pendant control - epoxy finish | 300 | 137 |

Please contact factory or nearest Thern Distributor for firm fixed price and delivery.

Series 5PT30 Bases

| Model | Description | Weight | |
|--------|---|--------|----|
| | | lb | kg |
| 5BP30 | pedestal base (upright mount) - red enamel finish | 200 | 91 |
| 5BP30G | pedestal base (upright mount) - galvanized finish | 200 | 91 |
| 5BP30X | pedestal base (upright mount) - epoxy finish | 200 | 91 |
| 5BF30 | socket base (flush mount) - red enamel finish | 200 | 91 |
| 5BF30G | socket base (flush mount) - galvanized finish | 200 | 91 |
| 5BF30X | socket base (flush mount) - epoxy finish | 200 | 91 |
| 5BW30 | wall mount base - red enamel finish | 200 | 91 |
| 5BW30G | wall mount base - galvanized finish | 200 | 91 |
| 5BW30X | wall mount base - epoxy finish | 200 | 91 |

Please contact factory or nearest Thern Distributor for firm fixed price and delivery.

Series 5PT30 Wire Rope

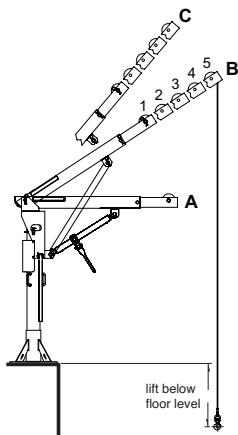
| Model | Description | Weight | |
|-----------|--|--------|----|
| | | lb | kg |
| WA38-28DS | 3/8 inch x 28 ft - galvanized aircraft cable with swivel hook and unfinished end | 8 | 4 |
| WA38-36DS | 3/8 inch x 36 ft - galvanized aircraft cable with swivel hook and unfinished end | 10 | 5 |
| WA38-45DS | 3/8 inch x 45 ft - galvanized aircraft cable with swivel hook and unfinished end | 11 | 5 |
| WA38-60DS | 3/8 inch x 60 ft - galvanized aircraft cable with swivel hook and unfinished end | 14 | 7 |
| WA38-75DS | 3/8 inch x 75 ft - galvanized aircraft cable with swivel hook and unfinished end | 17 | 8 |
| WS38-28DS | 3/8 inch x 28 ft - 304 stainless steel wire rope with swivel hook and unfinished end | 8 | 4 |
| WS38-36DS | 3/8 inch x 36 ft - 304 stainless steel wire rope with swivel hook and unfinished end | 10 | 5 |
| WS38-45DS | 3/8 inch x 45 ft - 304 stainless steel wire rope with swivel hook and unfinished end | 12 | 6 |
| WS38-60DS | 3/8 inch x 60 ft - 304 stainless steel wire rope with swivel hook and unfinished end | 15 | 7 |
| WS38-75DS | 3/8 inch x 75 ft - 304 stainless steel wire rope with swivel hook and unfinished end | 18 | 9 |

Please contact factory or nearest Thern Distributor for firm fixed price and delivery.

Series 5PT30 Crane Performance Characteristics

| Wire Rope | | Load Rating 5PT30M1 and E5XA1 | | | | | Load Rating 5PT30-E5A1** and E5XA1 | | | | | Lift Below Floor Level* | | | | | | | | | | | | | |
|-------------|---------------|-------------------------------|------------|------------|------------|------------|------------------------------------|------------|------------|------------|------------|-------------------------|-----------|-------|-------|-------|-------|-------|-------|-------|-------|----|----|----|----|
| Rope Length | Rope Diameter | Position 1 | Position 2 | Position 3 | Position 4 | Position 5 | Position 1 | Position 2 | Position 3 | Position 4 | Position 5 | Min Below | Max Below | | | | | | | | | | | | |
| (ft) | (m) | (lb) | (kg) | (lb) | (kg) | (lb) | (kg) | (lb) | (kg) | (lb) | (kg) | (ft) | (m) | | | | | | | | | | | | |
| 28 | 9 | 3,000 | 1,361 | 3,000 | 1,361 | 3,000 | 1,361 | 2,700 | 1,225 | 2,400 | 1,089 | 3,000 | 1,361 | 3,000 | 1,361 | 2,700 | 1,225 | 2,400 | 1,089 | 0 | 0 | 8 | 3 | | |
| 36 | 11 | 3,000 | 1,361 | 3,000 | 1,361 | 3,000 | 1,361 | 2,700 | 1,225 | 2,400 | 1,089 | 2,800 | 1,271 | 2,800 | 1,271 | 2,800 | 1,271 | 2,700 | 1,225 | 2,400 | 1,089 | 8 | 3 | 16 | 5 |
| 45 | 14 | 3,000 | 1,361 | 3,000 | 1,361 | 3,000 | 1,361 | 2,700 | 1,225 | 2,400 | 1,089 | 2,800 | 1,271 | 2,800 | 1,271 | 2,800 | 1,271 | 2,700 | 1,225 | 2,400 | 1,089 | 17 | 6 | 25 | 8 |
| 60 | 19 | 2,800 | 1,271 | 2,800 | 1,271 | 2,800 | 1,271 | 2,700 | 1,225 | 2,400 | 1,089 | 2,500 | 1,134 | 2,500 | 1,134 | 2,500 | 1,134 | 2,500 | 1,134 | 2,400 | 1,089 | 32 | 10 | 40 | 13 |
| 75 | 23 | 2,600 | 1,180 | 2,600 | 1,180 | 2,600 | 1,180 | 2,400 | 1,089 | 2,400 | 1,089 | 2,200 | 998 | 2,200 | 998 | 2,200 | 998 | 2,200 | 998 | 2,200 | 998 | 47 | 15 | 55 | 17 |

* Lift below floor level varies depending on boom position and winch configuration. For longer lifts contact factory. ** Add 3 ft to lift below floor level for Model 5PT30-E5A1.



IMPORTANT:

It is the owner or operator's responsibility to determine the suitability of the equipment to its intended use. Study all applicable codes, manuals and regulations. Be sure to read the Owner's Manual supplied with the equipment before operating it.

Thern products are not for lifting people or things over people.



Thern Corp
5712
Winch
1-800
Phone
www.

Authorized Sales & Service
J. HERBERT CORPORATION
Call 1-800-255-0588
407-846-0588 Fax: 846-1066
info@jherbertcorp.com

Visit us online:
www.jherbertcorp.com

ne
22
helo
548-659-052
rneurope.eu