

# P I L L A R

**MODEL J-904 B  
BASE MOUNTED**

**360° ROTATION**

**STANDARD WITH  
ANTI-LIFT-OFF DEVICE**

## **SPECIFICATIONS**

**MAST** Fabricated from heavy wall structural steel pipe with wall thickness sized to minimize deflection.

**BASE PLATE** Large diameter base plate is reinforced with heavy steel gussets for continuous alignment and rigidity.

**HEAD SECTION** Rigid steel plate box type with welded construction for minimum deflection between boom and mast.

—Bottom roller assembly can be shimmed for boom leveling.

**BOOM** Rolled steel I-beam section with long wearing tapered flange for smooth trolley travel.

—End stops at both ends of the boom are provided to limit trolley travel.

## **FEATURES**

The J-904 boom features full 360° rotation on a tapered roller bearing providing full capacity vertical and radial thrust loading.

The lower section of the head revolves around the pillar on a pair of steel rollers equipped with self-aligning roller bearings.

Available in hand push, hand geared rotation, air or electric motor drives.

J-904 Pillar Jib Cranes are available as standard in capacities from 500–20,000 lbs, spans to 30 ft and under boom height from 8 to 30 ft.

**ABELL-HOWE** 3 TON

18W

*Authorized Sales & Service*

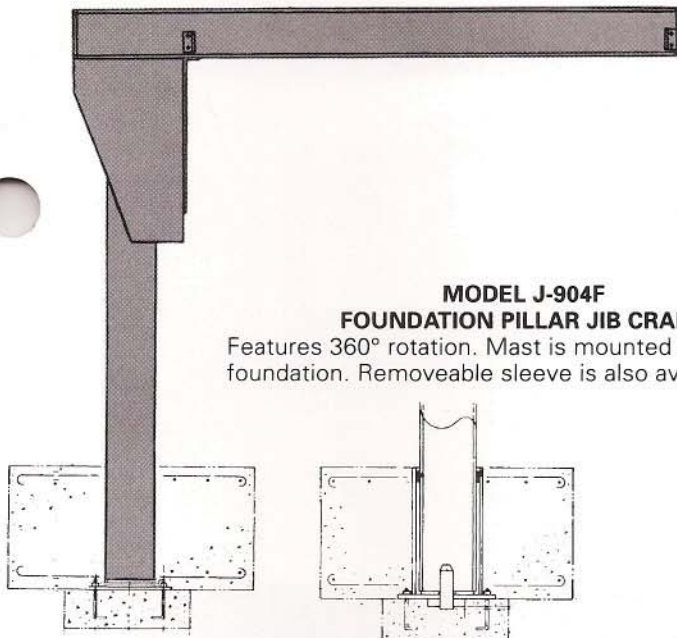
**J. HERBERT CORPORATION**

Call 1-800-255-0588  
407-846-0588 Fax: 846-1066  
info@jherbertcorp.com

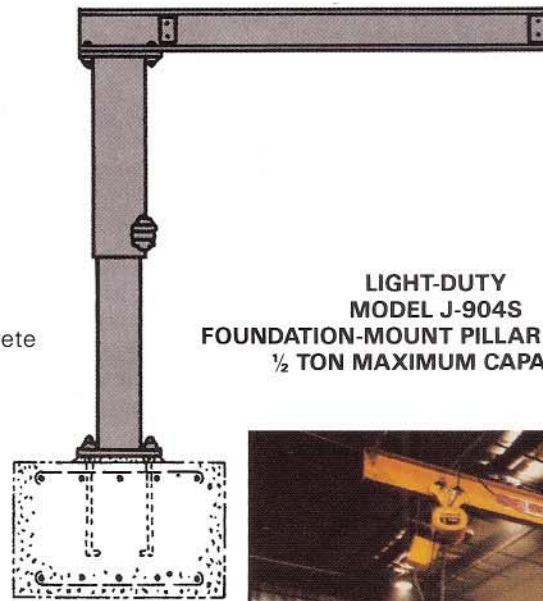
Visit us online:  
www.jherbertcorp.com

LARGER CAPACITY & SPECIAL CONFIGURATIONS ARE AVAILABLE UPON REQUEST.





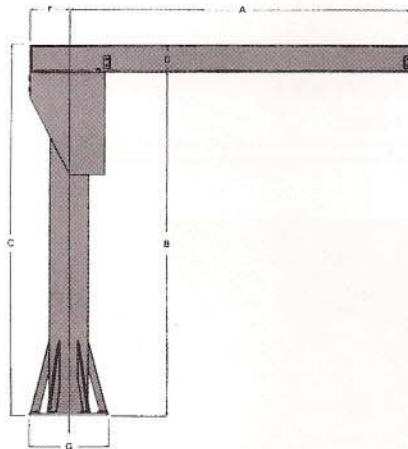
**MODEL J-904F  
FOUNDATION PILLAR JIB CRANE**  
Features 360° rotation. Mast is mounted in concrete foundation. Removeable sleeve is also available.



**LIGHT-DUTY  
MODEL J-904S  
FOUNDATION-MOUNT PILLAR JIB CRANE**  
½ TON MAXIMUM CAPACITY



**CHART REPRESENTS A SAMPLE OF J-904 SIZES AND CAPACITIES**



Ca- pa- city Tons	Span A	Boom Height B	Overall Height C	Model No. J904	Mast Dia.	Boom Size D	Base Plate Dia. G	F	Approx. Net Weight
1/2	10'-0"	10'-0"	10'-6"	120-06B	12 3/4"	6"112.5#	3'-0"	1'-3"	1040#
	12'-0"	10'-0"	10'-7"	120-07B	12 3/4"	7"115.3#	3'-0"	1'-3"	1265#
	14'-0"	10'-0"	10'-8"	120-08B	12 3/4"	8"118.4#	3'-0"	1'-3"	1350#
	16'-0"	10'-0"	10'-10"	120-10B	12 3/4"	10"125.4#	3'-0"	1'-3"	1515#
	18'-0"	10'-0"	10'-10"	120-10B	12 3/4"	10"125.4#	3'-0"	1'-3"	1565#
	20'-0"	10'-0"	11'-0"	140-12B	14"	12"131.8#	3'-6"	1'-5"	2055#
1	10'-0"	10'-0"	10'-8"	120-08B	12 3/4"	8"118.4#	3'-0"	1'-3"	1280#
	12'-0"	10'-0"	10'-10"	120-10B	12 3/4"	10"125.4#	3'-0"	1'-3"	1415#
	14'-0"	10'-0"	11'-0"	140-12B	14"	12"131.8#	3'-6"	1'-5"	1855#
	16'-0"	10'-0"	11'-0"	140-12B	14"	12"131.8#	3'-6"	1'-5"	1920#
	18'-0"	10'-0"	11'-3"	140-15B	14"	15"142.9#	3'-6"	1'-5"	2205#
	20'-0"	10'-0"	11'-3"	140-15B	14"	15"142.9#	3'-6"	1'-5"	2290#
2	10'-0"	12'-0"	13'-0"	140-12B	14"	12"131.8#	3'-6"	1'-5"	1825#
	12'-0"	12'-0"	13'-0"	160-12B	16"	12"131.8#	4'-0"	1-4 3/8"	2440#
	14'-0"	12'-0"	13'-3"	160-15B	16"	15"142.9#	4'-0"	1-4 3/8"	2690#
	16'-0"	12'-0"	13'-6"	160-18B	16"	18"154.7#	4'-0"	1-4 3/8"	2990#
	18'-0"	12'-0"	13'-6"	180-18B	18"	18"154.7#	4'-6"	1-5 3/8"	3455#
	20'-0"	12'-0"	13'-6"	180-18B	18"	18"154.7#	4'-6"	1-5 3/8"	3585#
3	10'-0"	12'-0"	13'-3"	160-15B	16"	15"142.9#	4'-0"	1-4 3/8"	2515#
	12'-0"	12'-0"	13'-3"	180-15B	18"	15"142.9#	4'-6"	1-5 3/8"	2955#
	14'-0"	12'-0"	13'-6"	180-18B	18"	18"154.7#	4'-6"	1-5 3/8"	3235#
	16'-0"	12'-0"	13'-6"	200-18B	20"	18"154.7#	5'-0"	1-8 3/8"	3900#
	18'-0"	12'-0"	13'-8"	200-20B	20"	20"165.4#	5'-0"	1-8 3/8"	4240#
	20'-0"	12'-0"	14'-0"	240-24B	24"	24"179.9#	5'-6"	1-11 1/8"	5320#
5	10'-0"	12'-0"	13'-6"	200-18B	20"	18"154.7#	5'-0"	1-8 3/8"	3570#
	12'-0"	12'-0"	13'-6"	240-18B	24"	18"154.7#	5'-6"	1-11 1/8"	4230#
	14'-0"	12'-0"	13'-8"	240-20B	24"	20"165.4#	5'-6"	1-11 1/8"	4520#
	16'-0"	12'-0"	14'-0"	240-24B	24"	24"179.9#	5'-6"	1-11 1/8"	4960#
	18'-0"	12'-0"	14'-0"	300-24HB	30"	24"1105.9#	6'-0"	2'-2"	7180#
	20'-0"	12'-0"	14'-0"	300-24HB	30"	24"1105.9#	6'-0"	2'-2"	7390#