

HEAVY DUTY HAND CHAIN HOISTS

MAXIMUM HOOK-TO-HOOK LENGTH

3 METRES (9.84 Ft.)	5 METRES (16.4 Ft.)	6 METRES (19.7 Ft.)
5RBH3	5RBH5	- - - -
10RBH3	10RBH5	- - - -
20RBH3	20RBH5	- - - -
25RBH3	25RBH5	- - - -
40RBH3	40RBH5	- - - -
50RBH3	50RBH5	- - - -
- - - -	- - - -	60RBH6
- - - -	- - - -	75RBH6
- - - -	- - - -	80RBH6
- - - -	- - - -	100RBH6

WARNING

THESE HOISTS ARE NOT TO BE USED FOR LIFTING OR LOWERING PEOPLE

SAFE OPERATING PRACTICES

1. Always make certain the load is within the rated capacity of the Hoist. Overloading can cause failure of some load-carrying part, or result in damage causing future failure with a load at less than the rated capacity.
2. When lifting a load, always use a sling or grab made specially for that purpose. Never wrap the load chain around the load and do not bring the load in contact with the Hoist.
3. Stand clear of all loads and avoid moving a load over the heads of other personnel. Warn personnel of your intention to move a load in their area.
4. Keep the load block overhead when not in use, but never leave a load suspended in the air when the Hoist is unattended.
5. Do not lower the hook to the point where the load chain becomes taut between the Loadwheel and the slack end anchor bolt.
6. **WARNING:** These Hoists are designed for manual operation. Never adapt them to any source of power operation. Doing so may result in structural damage and/or premature wear.

METRIC TOOLS MUST BE USED FOR MAINTENANCE OF THESE HOISTS

HOW TO ORDER

Order all repair parts for your Ingersoll-Rand Tool by the **NAME** and **NUMBER** shown in the Repair Part List section. **Never** use the illustration numbers which appear in the first column.

For prompt service and genuine Ingersoll-Rand parts, place orders with the nearest Ingersoll-Rand Branch Office or Authorized Distributor.

Notice: The use of other than genuine Ingersoll-Rand replacement parts may result in decreased tool performance and increased maintenance, and may, at the Company's option, invalidate all warranties.

FOR ADDITIONAL REPAIR SERVICE INFORMATION, REQUEST FORM S6383 SERVICE BULLETIN.

Refer All Communications to the Nearest
Ingersoll-Rand Branch Office or Distributor.

© Ingersoll-Rand Company 1976

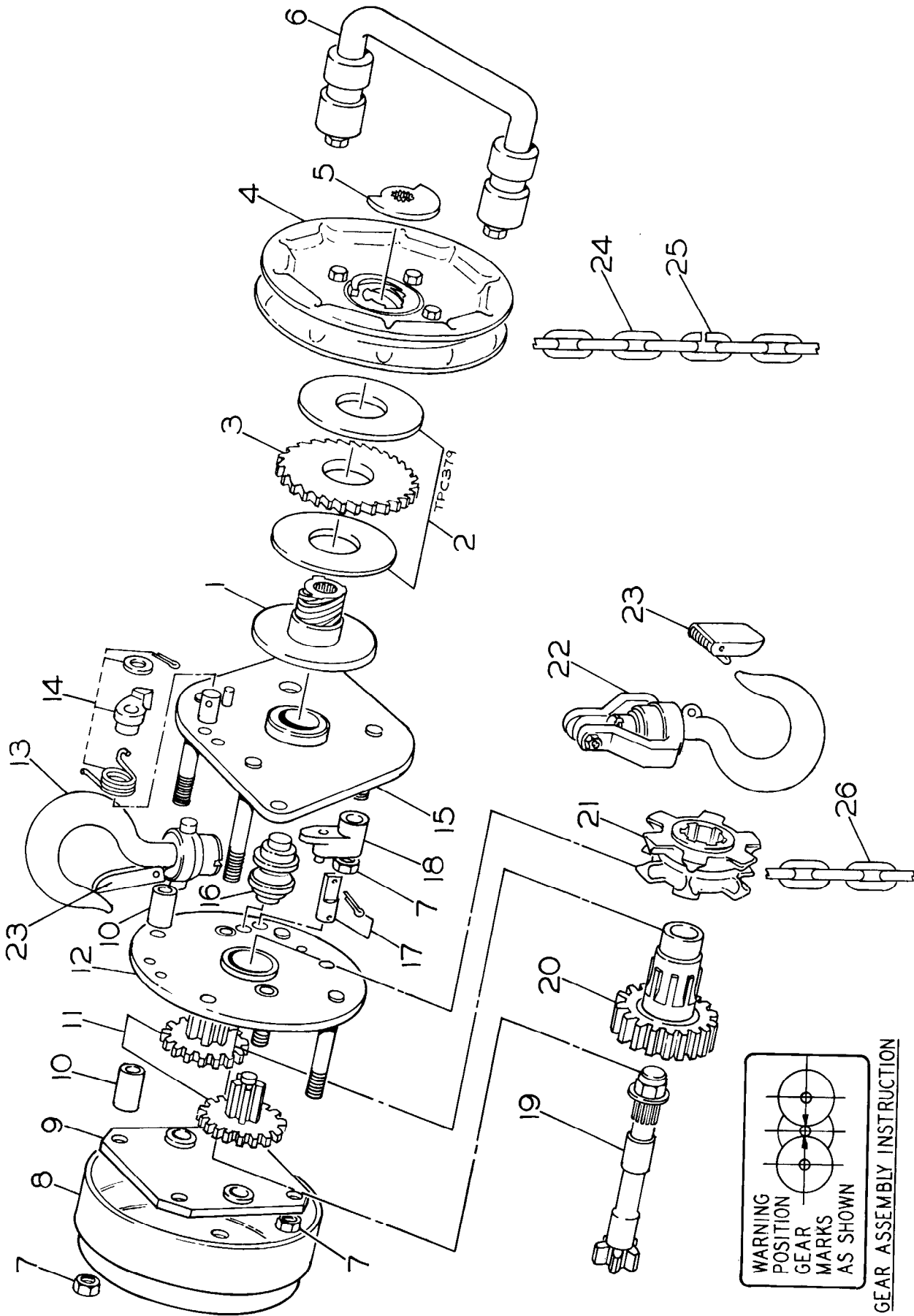
Printed in U.S.A.



Ingersoll-Rand

P
A
R
T
S

B
U
L
L
E
T
I
N



Heavy Duty Hand Chain Hoist
 (Except for Top and Bottom Hooks, construction is typical of all capacities.)

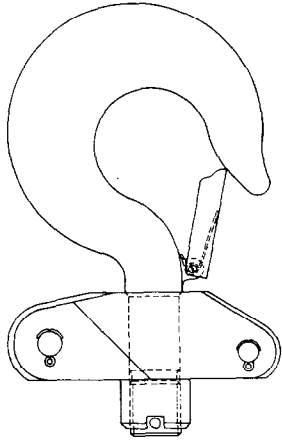
REPAIR PART LIST

ILLUS. NUMBER (Do not use for ordering)	PART NAME FOR ORDERING	PART NUMBER FOR ORDERING	ILLUS. NUMBER (Do not use for ordering)	PART NAME FOR ORDERING	PART NUMBER FOR ORDERING
1	Screw Brake Plate for 5RBH3, 5RBH5, 10RBH3 and 10RBH5 for all others	5RBH-Y1 20RBH-Y1	13	Top Hook Assembly for 5RBH3 and 5RBH5 for 10RBH3 and 10RBH5 for 20RBH3, 20RBH5, 25RBH3 and 25RBH5 for 40RBH3, 40RBH5, 50RBH3 and 50RBH5 for 60RBH6 and 75RBH6 for 80RBH6 and 100RBH6	5RBH-Y13 10RBH-Y13 20RBH-Y13 40RBH-Y13 60RBH-Y13 80RBH-Y13
2	Friction Disc (2) for 5RBH3, 5RBH5, 10RBH3 and 10RBH5 for all others	5RBH-Y2 20RBH-Y2	14	Pawl Assembly	5RBH-Y14
3	Ratchet Wheel for 5RBH3, 5RBH5, 10RBH3 and 10RBH5 for all others	5RBH-Y3 20RBH-Y3	15	Side Plate (handwheel side) for 5RBH3 and 5RBH5 for 10RBH3 and 10RBH5 for all others	5RBH-Y15 10RBH-Y15 20RBH-Y15
4	Handwheel and Center Assembly for 5RBH3, 5RBH5, 10RBH3 and 10RBH5 for all others	5RBH-Y4 20RBH-Y4	16	Load Chain Guide for 5RBH3 and 5RBH5 for 10RBH3 and 10RBH5 for all others	5RBH-Y16 10RBH-Y16 20RBH-Y16
5	Retaining Washer for 5RBH3, 5RBH5, 10RBH3 and 10RBH5 for all others	5RBH-Y5 20RBH-Y5	17	Load Chain Anchor Pin Assembly for 5RBH3 and 5RBH5 for 10RBH3 and 10RBH5 for all others	5RBH-Y17 10RBH-Y17 20RBH-Y17
6	Hand Chain Guide Assembly for 5RBH3, 5RBH5, 10RBH3 and 10RBH5 for all others	5RBH-Y6 20RBH-Y6	18	Load Chain Stripper for 5RBH3 and 5RBH5 for 10RBH3 and 10RBH5 for all others	5RBH-Y18 10RBH-Y18 20RBH-Y18
7	Nut (9)	5RBH-Y7	19	Pinion Shaft Assembly for 5RBH3 and 5RBH5 for 10RBH3 and 10RBH5 for all others	5RBH-Y19 10RBH-Y19 20RBH-Y19
8	Gear Cover Assembly for 5RBH3 and 5RBH5 for 10RBH3 and 10RBH5 for all others	5RBH-Y8 10RBH-Y8 20RBH-Y8	20	Loadwheel Gear and Axle for 5RBH3 and 5RBH5 for 10RBH3 and 10RBH5 for all others	5RBH-Y20 10RBH-Y20 20RBH-Y20
9	Square Plate Assembly for 5RBH3 and 5RBH5 for 10RBH3 and 10RBH5 for all others	5RBH-Y9 10RBH-Y9 20RBH-Y9	21	Loadwheel for 5RBH3 and 5RBH5 for 10RBH3 and 10RBH5 for all others	5RBH-Y21 10RBH-Y21 20RBH-Y21
10	Spacer (6) for 5RBH3 and 5RBH5 for 10RBH3 and 10RBH5 for all others	5RBH-Y10 10RBH-Y10 20RBH-Y10			
11	Set of A and B Gears for 5RBH3 and 5RBH5 for 10RBH3 and 10RBH5 for all others	5RBH-Y11 10RBH-Y11 20RBH-Y11			
12	Side Plate Assembly (gear side) for 5RBH3 and 5RBH5 for 10RBH3 and 10RBH5 for all others	5RBH-Y12 10RBH-Y12 20RBH-Y12			

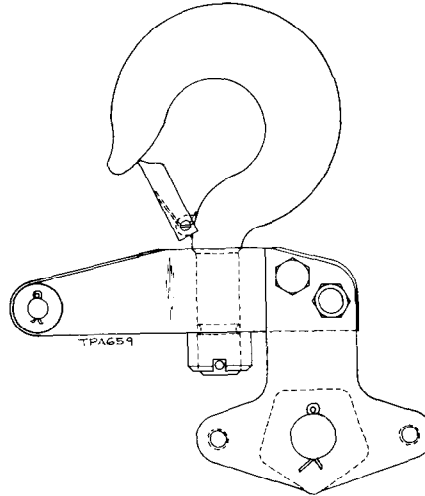
REPAIR PART LIST (Continued)

ILLUS. NUMBER (Do not use for ordering)	PART NAME FOR ORDERING	PART NUMBER FOR ORDERING	ILLUS. NUMBER (Do not use for ordering)	PART NAME FOR ORDERING	PART NUMBER FOR ORDERING	
22	Bottom Hook Assembly for RBH3 and 5RBH5 for 10RBH3 and 10RBH5 for 20RBH3, 20RBH5, 25RBH3 and 25RBH5 for 40RBH3, 40RBH5, 50RBH3 and 50RBH5 for 60RBH6 and 75RBH6 for 80RBH6 and 100RBH6 Safety Latch Assembly for Top and Bottom Hooks for 10RBH3 and 5RBH5 for 10RBH3 and 10RBH5 for 20RBH3, 20RBH5, 25RBH3 and 25RBH5 for 40RBH3, 40RBH5, 50RBH3 and 50RBH5 for 60RBH6 and 75RBH6 for 80RBH6 and 100RBH6 Hand Chain for 5RBH3 and 10RBH3 for 5RBH5 and 10RBH5 for 20RBH3, 25RBH3, 40RBH3 and 50RBH3 for 20RBH5, 25RBH5, 40RBH5 and 50RBH5 for 60RBH6, 75RBH6, 80RBH6 and 100RBH6 Hand Chain Connecting Link for 5RBH and 10RBH for all others Load Chain for 5RBH3 for 5RBH5 for 10RBH3	5RBH-Y22 10RBH-Y22 20RBH-Y22 40RBH-Y22 60RBH-Y22 80RBH-Y22 5RBH-Y23 10RBH-Y23 20RBH-Y23 40RBH-Y23 60RBH-Y23 80RBH-Y23 5RBH3-Y24 5RBH5-Y24 20RBH3-Y24 20RBH5-Y24 60RBH6-Y24 5RBH-Y25 20RBH-Y25 5RBH3-Y26 5RBH5-Y26 10RBH3-Y26			for 10RBH5 for 20RBH3 and 25RBH3 for 20RBH5 and 25RBH5 for 40RBH3 and 50RBH3 for 40RBH5 and 50RBH5 for 60RBH6 and 75RBH6 for 80RBH6 and 100RBH6 Nameplate Kit for 5RBH for 10RBH for 20RBH for 25RBH for 40RBH for 50RBH for 60RBH for 75RBH for 80RBH for 100RBH Safety Label Hoist Capacity Label for Bottom Hook Assembly for 40RBH for 50RBH for 60RBH for 75RBH for 80RBH for 100RBH I-R Monogram	10RBH5-Y26 20RBH3-Y26 20RBH5-Y26 40RBH3-Y26 40RBH5-Y26 60RBH6-Y26 80RBH6-Y26 5RBH-A301 10RBH-A301 20RBH-A301 25RBH-A301 40RBH-A301 50RBH-A301 60RBH-A301 75RBH-A301 80RBH-A301 100RBH-A301 5RBH-598 40RBH-99 50RBH-99 60RBH-99 75RBH-99 80RBH-99 100RBH-99 40RBH-100
23			*			
24						
25			*			
26			*			

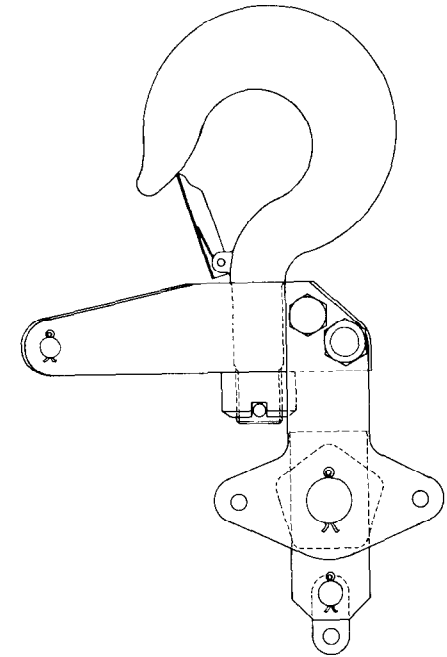
* Not illustrated.



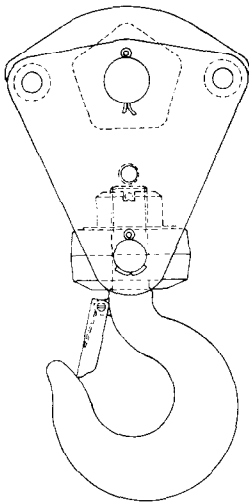
**Top Hook Assembly
4000 and 5000 Kilogram Capacity**



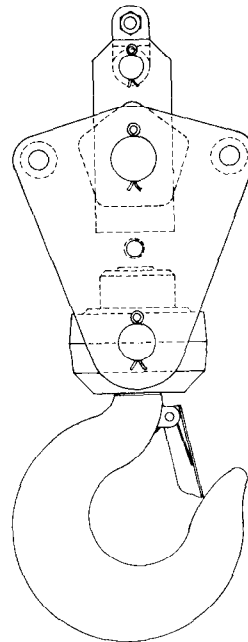
**Top Hook Assembly
6000 and 7500 Kilogram Capacity**



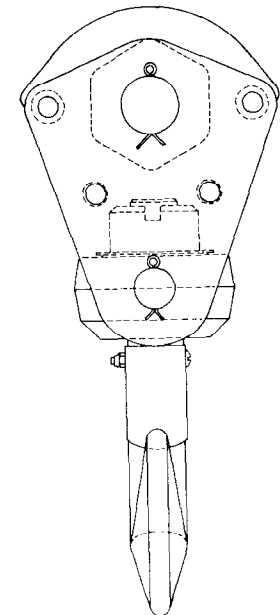
**Top Hook Assembly
8000 and 10 000 Kilogram Capacity**



**Bottom Hook Assembly
4000 and 5000 Kilogram Capacity**



**Bottom Hook Assembly
6000 and 7500 Kilogram Capacity**



**Bottom Hook Assembly
8000 and 10 000 Kilogram Capacity**

INSTALLATION

Before installing the Hoist, examine it thoroughly to make certain that it was not damaged during shipment.

After mounting and before placing in service, check the Hoist for proper operation. On Hoists having a bottom hook block, make certain that all strands of chain are straight with no twist as a result of having the hook block flipped through the chain loop. Make certain the load chain seats properly in the pocket wheel by running the hook up and down a reasonable distance without a load. The chain should run freely with no snagging or binding.

Always rig the Hoist to lift in a straight line from hook to hook, and make certain the Hoist is always free to swivel on the upper hook. Under no condition should the frame or hanger be allowed to bear against any support as this could cause bending of the hook or frame and damage the unit.

Make certain the member from which the Hoist is suspended is completely seated in the saddle of the hook.

OPERATION

When preparing to lift or move a load, make certain the load is completely seated in the saddle of the hook. Avoid eccentric loading of any kind, especially loading on the point of the hook.

When lifting, raise the load just enough to clear the floor and then check to make certain the brake will hold the load.

Continue the lift only after you are certain the load is free of all obstructions.

LUBRICATION

Always keep the load chain, chain wheels and hook trunnions well lubricated. Where the Hoist is being used in clean areas, an open chain lubricant or any good EP gear oil may be used. Several types of open chain lubricant, which are also excellent, are available and can be purchased in convenient aerosol cans. In areas where airborne grit and grime are present, a dry lubricant should be used since grit trapped in the chain lubricant causes rapid chain wear. These lubricants contain graphite or molydisulfide in a volatile carrier.

These Hoists normally require no additional lubrication except when a unit has been disassembled for cleaning or repairs.

MAINTENANCE

Each week, when in regular use, apply lubricant between each side of loadwheel and side plates, and to ratchet wheel, pawl bolt, handwheel center, hook trunnions, hook shanks and pulleys. The Load Chain should be kept lubricated to prolong its life and assure smooth operation.

Every three months, check clearance between faces of driving dogs on the handwheel center. If this reaches $\frac{1}{2}$ " (12 mm) the nut at the end of the pinion shaft must be removed and the drive washer moved round one serration to reduce the clearance to approximately $\frac{3}{16}$ " (4 mm). Check wear of brake friction washers. New washers should be fitted when the thickness is reduced to $\frac{5}{64}$ " (2 mm). When fitting new washers, the surfaces should be treated with a light application of petroleum jelly and driving dog clearance should be set at approximately $\frac{3}{16}$ " (4 mm).

Remove Gear Cover and be certain that gears are well greased.

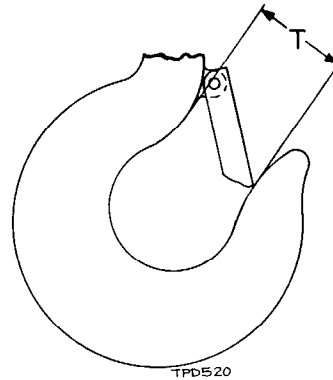
Inspect chains for excessive wear or other damage.

Recommended Lubricant: Dow Corning Corp. Molykote BR-2-S.

Hook

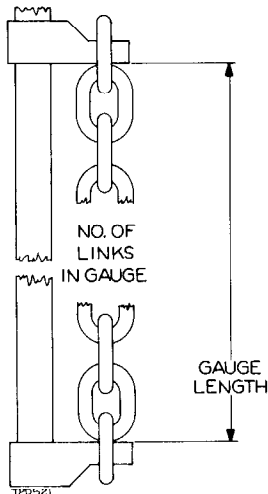
Periodically, examine the hook for wear. Excessive throat opening indicates abuse or overloading. At the same time, inspect other load sustaining components of the unit for damage. Make certain the latch is not damaged or bent.

Hoist Size	Replace Hook When "T" Opening is Greater than:	
	in.	mm
5RBH	1 1/4	32
10RBH	1 1/2	38
20RBH, 25RBH	1 11/16	43
40RBH, 50RBH	2 3/8	60
60RBH, 75RBH	2 13/16	71
80RBH, 100RBH	3 1/4	82



Load Chain

Visually inspect the load chain for cleanliness and lubrication as well as wear or other damage, such as nicks and gouges. To determine if the chain should be replaced, check gauge lengths as shown below. Chain should be clean, free of twists and pulled taut before measuring.



CHAIN WEAR GAUGE

Hoist Size	Dia. of Chain Stock in.	No. of Links To Gauge	Maximum Gauge Length Allowable Used Chain	
			in.	mm
5RBH	.219	11	7 3/4	197
10RBH	.281	11	9 15/16	252
20RBH thru 100RBH	.406	11	14 5/16	363
Hand Chain:				
for 5RBH and 10RBH	.213	15	14 13/16	376
for all others	.250	15	15 3/8	390

Load chain has a hard long-wearing surface. We urge extreme caution when cutting as the link may fly when cut.

Hand Chain

Visually inspect hand chain the same as load chain and use the chart above for gauging.

Care must be taken to assure that there is no twist in the hand chain loop.

- Atlanta, Ga.**
111 Ingersoll-Rand Drive
Chamblee, Georgia 30341
- ★ **Baton Rouge, La.** 70816
4152 Rhoda Drive
- ★ **Beaumont, Texas** 77640
5336 Twin City Highway
Fort Arthur, Texas
- ★ **Birmingham, Ala.** 35233
1516 Second Ave., South
- ★ **Buffalo, N. Y.** 14225
195 Suggs Rd.
- **Charlotte, N. C.** 28208
4840 Wilmont Rd.
- **Chicago, Ill.**
888 Industrial Drive
Elmhurst, Illinois 60126
- **Cincinnati, Ohio**
666 Redna Terrace
Woodlawn, Ohio 45215
- **Cleveland, Ohio** 44125
9237 Midwest Ave.
- ★ **Corpus Christi, Texas** 78408
4540 Baldwin Blvd.
- **Dallas, Texas** 75247
8901 Directors Row
- **Denver, Colo.** 80207
5805 E. 39th Ave.
- **Detroit, Mich.**
22122 Telegraph Road
Southfield, Mich. 48075
- **Hartford, Conn.** 06114
203 Locust St.
- Ingersoll-Rand®**
Tool & Hoist Division
28 Kennedy Blvd.
East Brunswick, N. J. 08816
- **Houston, Texas** 77001
6800 Sands Point, P.O. 1455
- ★ **Indianapolis, Ind.** 46268
5315 West 86th St.
- **Kansas City, Mo.** 64114
8900 Ward Parkway
- **Los Angeles, Calif.** 90022
5533 East Olympic Blvd.
- **Milwaukee, Wis.** 53225
12311 W. Silver Springs Dr.
- **Minneapolis, Minn.** 55404
Corner Franklin and Cedar
- **Moline, Ill.** 61265
3901 25 St.
- **Newark, N. J.**
28 Kennedy Blvd.
East Brunswick, N. J. 08816
- **New Orleans, La.** 70005
939 Lake Ave. Metairie
- **Philadelphia, Pa.**
651 Park Ave.
King of Prussia, Pa. 19406
- **Pittsburgh, Pa.** 15220
6 Parkway Ctr.
- ★ **Portland, Oregon** 97214
240 S. E. Clay St.
- ★ **Richmond, Va.** 23230
3431 West Leigh St.
- **San Francisco, Calif.**
14299 Wicks Blvd.
San Leandro, Calif. 94577
- ★ **Schenectady, N. Y.**
8 Sarnoskie Drive
Scotia, N. Y. 12302
- **Seattle, Wash.** 98188
345 Andover Park East
- **St. Louis, Mo.** 63132
1515 Page Industrial Blvd.
- ★ **Tampa, Fla.** 33609
3316 South Westshore Blvd.
- ★ **Tulsa, Oklahoma** 74135
6106 E. 32 Place
- **Washington, D. C.** 20006
1666 K. St., N. W.
- Branch and All-Star Servicerter.
★ All-Star Servicerter only.

CANADA

- Calgary, Alberta, T2R 0E1**
611 11th. Ave., S. W.
- Montreal, Quebec**
620 Cathcart St., H3B 1M2
P.O. Box 1148, H3B 3K9
- Canadian Ingersoll-Rand Co., Limited**
Montreal, Quebec
620 Cathcart St., H3B 1M2
- Sudbury, Ontario, P3A 3T3**
P. O. Box 2220
- **Vancouver, British Columbia, V6A 2W7**
1605 Main St

9-G5

AUTONOMOUS COMPANIES

- Argentina, Buenos Aires**
Ingersoll-Rand Argentina
S. A. I. y C.
Casilla Correo 2412, Correo Central
- Australia, South Melbourne**
Ingersoll-Rand (Australia) Ltd.
42 Moray Street, 3205 Victoria
- Austria A 1120, Vienna**
Ingersoll-Rand Ges M. B. H.
Schoenbrunnerstrasse 213-215/2/5
- Belgium, B-1920 Diegem**
Ingersoll-Rand Benelux
Kouterstraat 10-12
- Brazil, Sao Bernardo**
Ingersoll-Rand S.A. Ind. e Com.
Caixa Postal 911
- Colombia, Bogota**
Maquinarias Ingersoll-Rand
de Colombia, S. A.
Apartado Aero 7451
- Denmark, Albertslund DK2620**
Ingersoll-Rand AB
Herstedvang 11
- England, London, SW1X 7LU**
Ingersoll-Rand Co., Ltd.
Bowater House, Knightsbridge
- France, 78 190 Trappes Yvelines**
Compagnie Ingersoll-Rand
Avenue Albert Einstein
Zone Industrielle
- Germany, 403 Ratingen**
Ingersoll-Rand GmbH
Robt. Zapp Str.
Postfach 1380
- Hong Kong**
Ingersoll-Rand Far East
Room 203, Asian House
1, Hennessy Road
- India, Bombay 400018**
Ingersoll-Rand (India) Private Ltd.
44 Maulana Abdul Gaffar Rd.
P. O. Box 16564, Worli
- Ireland, Dublin**
Ingersoll-Rand Company (Ireland) Ltd.
John F. Kennedy Drive
Bluebell
- Italy, Milano**
Ingersoll-Rand Italiana, S.p.A.
Strada Provinciale Cassanese
20060 Vignate, Italy
- Japan, 106 Tokyo**
Ingersoll-Rand (Japan) Ltd.
Kowa Bldg. No. 17
2-7 Nishi-Azabu 1-Chome
Minato-Ku
- Kenya, Nairobi**
Ingersoll-Rand Mid-Africa
P. O. Box 14240
- Lebanon, Beirut**
Ingersoll-Rand Middle East
P. O. Box 11-7031
- Malaysia, Petaling Jaya**
Ingersoll-Rand Malaysia Sdn. Bhd.
- Mexico, 10 D. F. Mexico**
Ingersoll-Rand S. A. de C. V.
Apartado 41-666
- Netherlands, Pijnacker**
Ingersoll-Rand Benelux
26D Delftsestraatweg
- Peru, Lima**
Ingersoll-Rand Co. of Peru, S.A.
Casilla 2261
- Philippines, Makati, Rizal 3117**
Ingersoll-Rand Philippines, Inc.
P. O. Box 445 MCC
- Portugal, Lisbon 5**
Ingersoll-Rand Lda.
Apartado 2933
- Puerto Rico, San Juan 00936**
Ingersoll-Rand de Puerto Rico Inc.
G. P. O. Box 1222
- Republic of South Africa**
Transvaal, Alrode via Alberton
Ingersoll-Rand Co. So. Africa (Pty.) Ltd.
P. O. Box 3720
- Singapore, 1**
Ingersoll-Rand So. East Asia (Pte) Ltd.
G. P. O. Box 2062
- Spain, Madrid**
Cia. Ingersoll-Rand, S. A.
Apartado 518
- Sweden, Bromma**
Ingersoll-Rand AB
Gardsfogdevagen, 14
- Venezuela, Caracas**
Ingersoll-Rand de Venezuela S.A.
Apartado Postal 70588 Los Ruices
- Zambia, Ndola**
Ingersoll-Rand Company, Ltd.
P. O. Box 74

5-45

Distributors in principal cities throughout the world. Contact the nearest Ingersoll-Rand office for the name and address of the distributor in your country or write to Ingersoll-Rand International, Woodcliff Lake, New Jersey.