

Ratchet Lever

LMPS104-1

Operating, Maintenance &
Parts Manual

PA, LMR & PM Series 3/4 to 3 Ton Models



Follow all instructions and warnings for inspecting, maintaining and operating this hoist.

The use of any hoist presents some risk of personal injury or property damage. That risk is greatly increased if proper instructions and warnings are not followed. Before using this hoist, each operator should become thoroughly familiar with all warnings, instructions, and recommendations in this manual. Retain this manual for future reference and use.

Forward this manual to the hoist operator.
Failure to operate the equipment as directed in the manual may cause injury.

Before using the hoist, fill in the information below:

Model No. _____

Serial No. _____

Purchase Date _____

Authorized Sales & Service

J. HERBERT CORPORATION

Call 1-800-255-0588

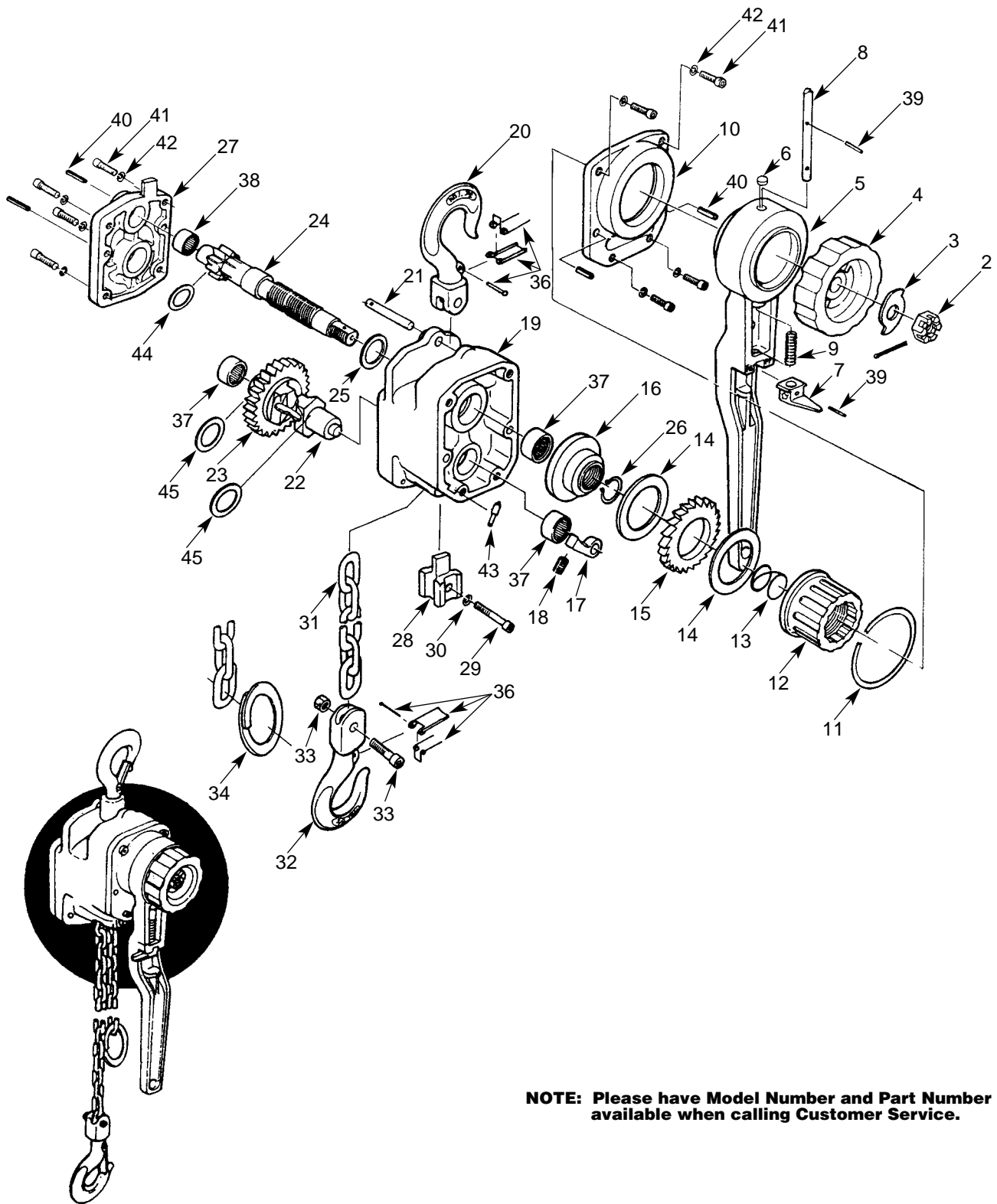
407-846-0588 Fax: 846-1066

info@jherbertcorp.com

Visit us online:

www.jherbertcorp.com

3/4 TON & 1 TON MODELS



NOTE: Please have Model Number and Part Number available when calling Customer Service.

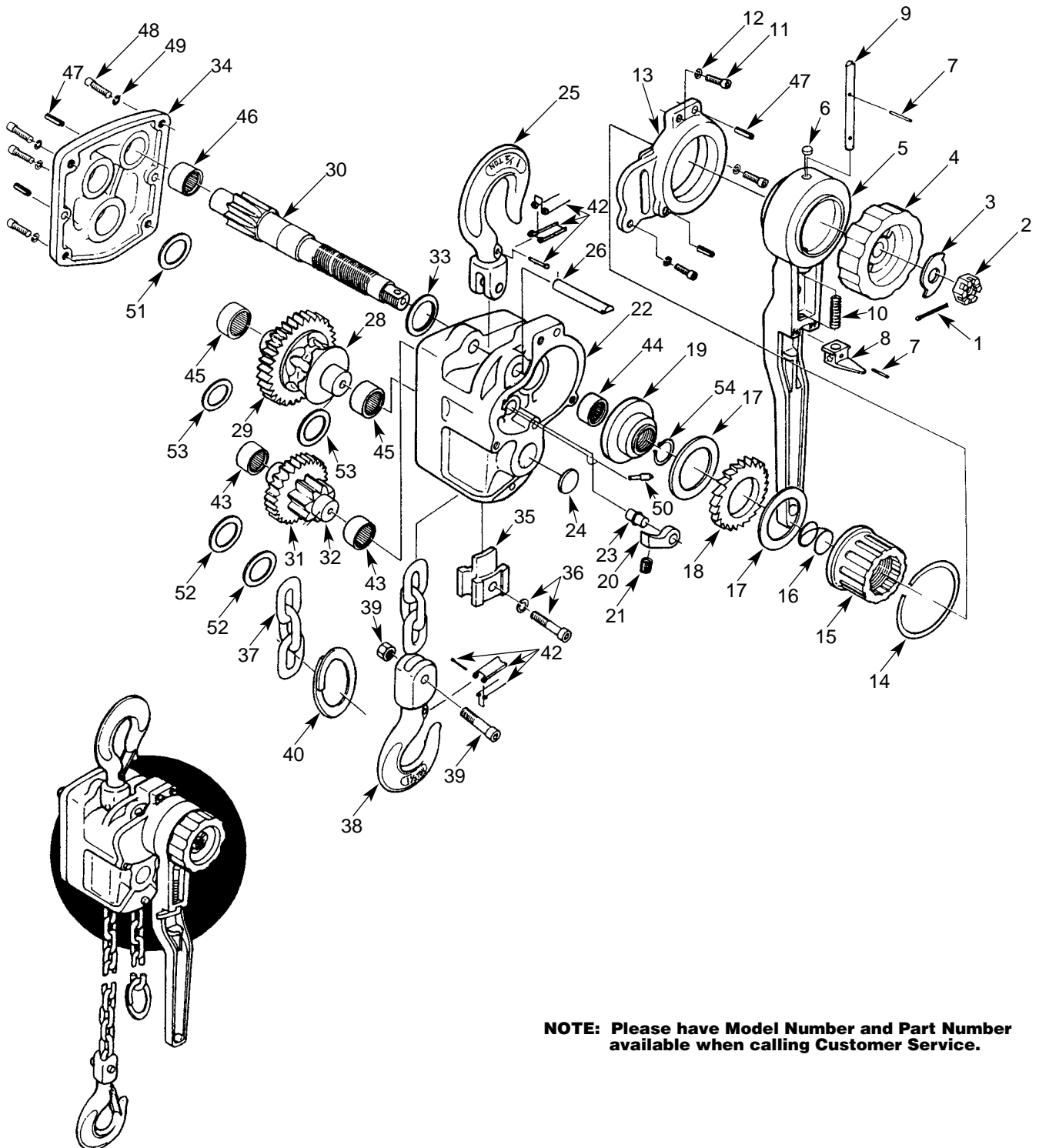


Parts List for 3/4 Ton & 1 Ton

Ref. No.	Description	Part No.	Qty
1	Cotter Pin	446 005 700	1
2	Slotted Nut	446 005 701	1
3	Check Washer	446 005 702	1
4	Handwheel	446 005 703	1
5	Lever	446 005 704	1
6	Plug	446 005 705	1
7	Lever	446 005 706	1
8	Rod	446 005 707	1
9	Spring	446 005 708	1
10	Housing	446 005 709	1
11	Ring	446 005 711	1
12	Ratchet	446 005 712	1
13	Spring	446 005 713	1
14	Raybestos Disc	446 005 714	2
15	Ratchet Disc	446 005 715	1
16	Disc Hub	446 005 716	1
17	Brake Pawl	446 005 717	1
18	Spring	446 005 718	1
19	Housing	446 005 719	1
20	Top Hook		
	1 Ton	446 005 758	1
	3/4 Ton	446 005 720	1
21	Pin	446 005 721	1
22	Chain Sheave	446 005 722	1
23	Gear	446 005 723	1
24	Drive Gear	446 005 724	1
25	Spacer	446 005 725	1
26	Snap Ring	446 005 726	1
27	Cover	446 005 727	1
28	Stripper	446 005 728	1
29	Screw	446 005 729	1
30	Lockwasher	446 005 730	1
31	Chain	647 382 481	1
32	Bottom Hook		
	1 Ton	446 005 759	1
	3/4 Ton	446 005 732	1
33	Screw with Nut	446 005 733	1
34	Chain Stop Ring	446 005 734	1
35	Screw	446 005 735	1
36	Latch Kit	446 005 756	2
37	Bearing	446 005 806	3
38	Bearing	446 005 808	1
39	Roll Pin	446 034 102	2
40	Roll Pin	449 034 027	1
41	Screw	449 002 064	6
42	Spring Washer	449 020 006	6
43	Pin	446 005 809	1
44	Thrust Washer	446 005 811	1
45	Thrust Washer	446 005 813	2



1.5 TON MODELS



NOTE: Please have Model Number and Part Number available when calling Customer Service.

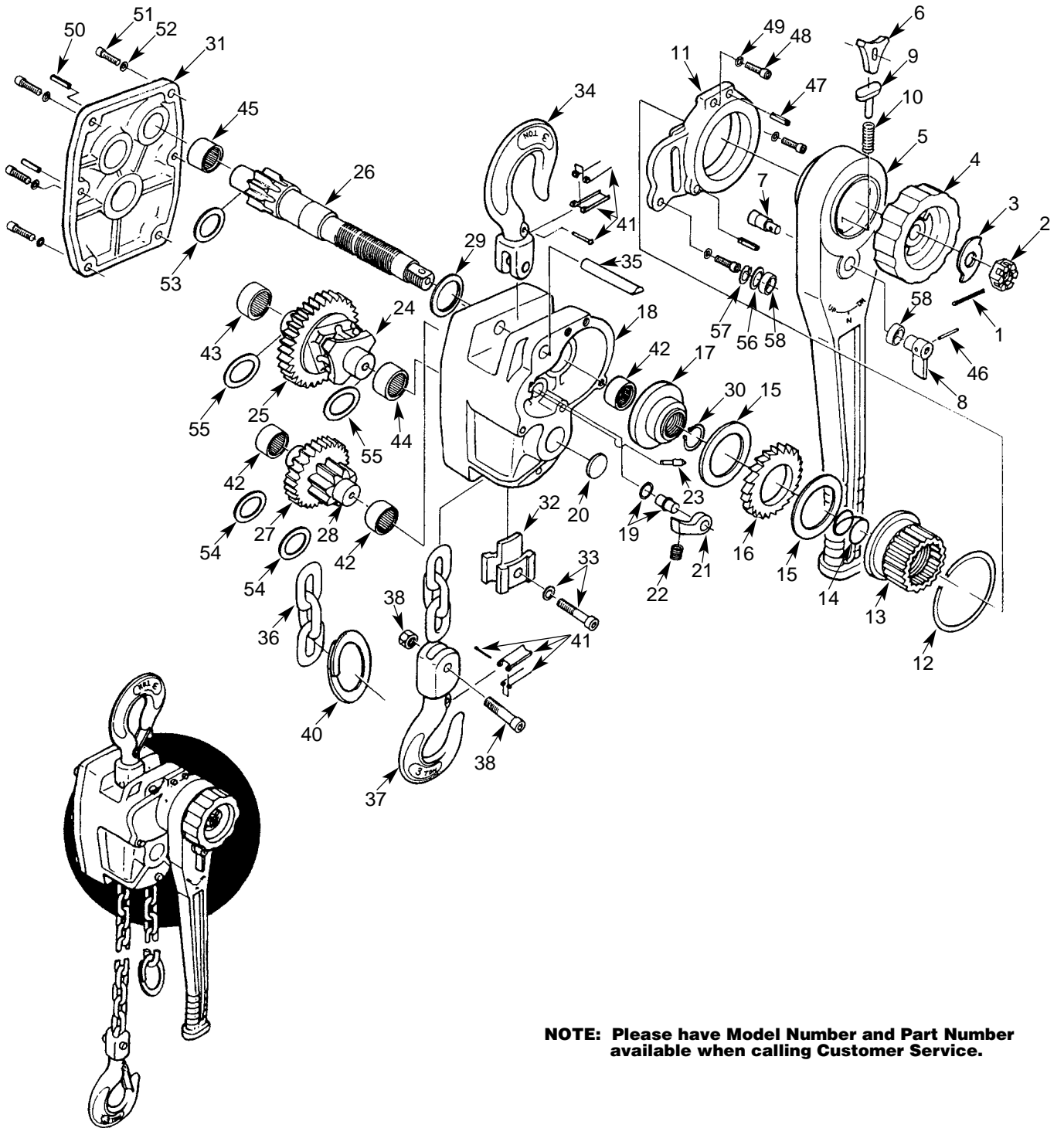


Parts List for 1.5 Ton Models

Ref. No.	Description	Part No.	Qty
1	Cotter Pin	446 005 700	1
2	Slotted Nut	446 005 701	1
3	Check Washer	446 005 702	1
4	Handwheel	446 005 703	1
5	Lever	446 005 704	1
6	Plug	446 005 705	1
7	Roll Pin	449 034 102	1
8	Lever	446 005 706	1
9	Rod	446 005 707	1
10	Spring	446 005 708	1
11	Screw	449 002 064	3
12	Lockwasher	449 020 006	3
13	Cover	446 005 710	1
14	Ring	446 005 711	1
15	Ratchet	446 005 712	1
16	Spring	446 005 713	1
17	Raybestos Disc	446 005 714	2
18	Ratchet Disc	446 005 715	1
19	Disc Hub	446 005 716	1
20	Brake Pawl	446 005 717	1
21	Spring	446 005 718	1
22	Housing	446 005 736	1
23	Pin	446 005 737	1
24	Cover	446 005 738	1
25	Hook	446 005 739	1
26	Pin	446 005 740	1
27	Screw	446 005 741	1
28	Load Sheave	446 005 742	1
29	Gear	446 005 743	1
30	Drive Pinion	446 005 744	1
31	Gear	446 005 745	1
32	Gear	446 005 746	1
33	Spacer and Snap Ring	446 005 747	1
34	Cover	446 005 748	1
35	Stripper	446 005 749	1
36	Screw Assembly	446 005 750	1
37	Chain	647 386 481	1
38	Hook	446 005 752	1
39	Screw Assembly	446 005 753	1
40	Chain Stop Ring	446 005 734	1
41	Screw	446 005 755	1
42	Latch Kit	446 005 757	2
43	Bearing	446 005 802	2
44	Bearing	446 005 806	1
45	Bearing	446 005 807	2
46	Bearing	446 005 808	1
47	Roll Pin	449 034 027	2
48	Screw	449 002 054	4
49	Lockwasher	449 020 001	4
50	Pin	446 005 810	1
51	Thrust Washer	446 005 811	1
52	Thrust Washer	446 005 812	2
53	Thrust Washer	446 005 814	2
54	Snap Ring	446 005 726	1



3 TON MODELS



Parts List for 3 Ton Models

Ref. No.	Description	Part No.	Qty
1	Cotter Pin	446 005 760	1
2	Slotted Nut	446 005 761	1
3	Check Washer	446 005 762	1
4	Handwheel	446 005 763	1
5	Lever	446 005 764	1
6	Ratchet Pawl	446 005 765	1
7	Pin	446 005 766	1
8	Lever	446 005 767	1
9	Spring Rod	446 005 768	1
10	Spring	446 005 769	1
11	Cover	446 005 770	1
12	Ring	446 005 771	1
13	Ratchet	446 005 772	1
14	Spring	446 005 773	1
15	Raybestos Disc	446 005 774	2
16	Ratchet Disc	446 005 775	1
17	Disc Hub	446 005 776	1
18	Housing	446 005 777	1
19	Stud and Washer	446 005 778	1
20	Cover	446 005 779	1
21	Pawl	446 005 780	1
22	Spring	446 005 781	1
23	Pin	446 005 782	1
24	Chain Sheave	446 005 783	1
25	Gear	446 005 784	1
26	Drive Pinion	446 005 785	1
27	Gear	446 005 786	1
28	Gear	446 005 787	1
29	Spacer	446 005 788	1
30	Snap Ring	446 005 789	1
31	Cover	446 005 790	1
32	Stripper	446 005 791	1
33	Screw Assembly	446 005 792	1
34	Hook	446 005 793	1
35	Pin	446 005 794	1
36	Chain	647 384 481	1
37	Hook	446 005 796	1
38	Screw Assembly	446 005 797	1
39	Chain Stop Ring	446 005 734	1
40	Screw	446 005 799	1
41	Latch Kit	446 005 801	2
42	Bearing	446 005 803	3
43	Bearing	446 005 804	1
44	Bearing	446 005 805	1
45	Bearing	446 005 802	1
46	Roll Pin	449 034 102	1
47	Roll Pin	449 034 027	2
48	Screw	449 002 064	3
49	Lockwasher	449 020 006	3
50	Roll Pin	449 034 054	2
51	Screw	449 002 142	4
52	Lockwasher	449 022 031	4
53	Thrust Washer	446 005 812	1
54	Thrust Washer	446 005 813	2
55	Thrust Washer	446 005 815	2
56	Round Washer	446 005 816	1
57	Snap Ring	446 005 817	1
58	Bushing	446 005 818	2



WARRANTY

Every hoist is thoroughly inspected and performance tested prior to shipment from the factory. If any properly installed, maintained and operated hoist as outlined in the applicable accompanying hoist manual develops a performance problem due to defective materials or workmanship as verified by Coffing Hoists, Little Mule or Yale, repair or replacement of the hoist will be made to the original purchaser without charge and the hoist will be returned, transportation prepaid. This warranty does not apply where deterioration is caused by normal wear, abuse, improper or inadequate power supply,

improper or inadequate maintenance, eccentric or side loading, overloading, chemical or abrasive actions, excessive heat, unauthorized modifications or repairs, or use of non-Coffing, non-Little Mule or non-Yale repair parts. **EXCEPT AS STATED HEREIN, COFFING HOISTS, LITTLE MULE OR YALE MAKES NO OTHER WARRANTIES, EXPRESS OR IMPLIED, INCLUDING WARRANTIES OF MERCHANTABILITY AND FITNESS FOR A PARTICULAR PURPOSE.**

Authorized Sales & Service

J. HERBERT CORPORATION

Call 1-800-255-0588

407-846-0588 Fax: 846-1066

info@jherbertcorp.com

Visit us online:

www.jherbertcorp.com

WARNING

Overloading and Improper Use Can Result In Injury

TO AVOID INJURY:

- Do not exceed working load limit, load rating, or capacity.
- Do not use equipment to lift people or loads over people.
- Use only alloy chain and attachments for overhead lifting.
- Read and follow all instructions.

COFFING[®]
HOISTS

Country Club Road
P.O. Box 779
Wadesboro, NC 28170 U.S.A
Phone • 800-477-5003
• 704-694-2156
Fax • 800-374-6853

LITTLE MULE[®]


Country Club Road
P.O. Box 779
Wadesboro, NC 28170 U.S.A
Phone • 800-477-5003
• 704-694-2156
Fax • 800-374-6853

Yale[®]
HOISTS

414 Broadway Avenue
PO Box 769
Muskegon, MI 49443
Phone • 231-733-0821
Fax • 800-742-9270