

JDN SUPRA-LOW MONORAIL HOISTS

"Supra" Strength for Small Spaces From 4 Ton to 100 Ton Capacity, Air Pressure 85 PSI (6 Bar)

In locations with very restricted headroom, JDN Supra-Low Headroom Monorail Hoists lift and transport loads up to 100 ton. Their special design gives them access to areas where standard hoist trolleys, even low head configurations, are unable to meet your needs.

■ FEATURES

- Special load chain guiding system to prevent side plate bending – a unique design
- Lowest headroom in its capacity range
- Trolleys feature anti-drop and anti-climb device
- High efficiency, multi-vane drives for the hoisting and travelling section
- All steel and cast iron design for highest performance in harshest environments
- Explosion-proof
- Positive start-up system to enable a smooth motor operation

■ OPTIONS

- Chain container
- Offshore paint
- Spark-resistant package
- Delta-P overload protection

■ APPLICATIONS

- Oil industry:
BOP handling on oil and gas drilling rigs.
- Paper mills:
Handling of drying rollers in tight restricted areas on top of the production line.
- Maritime Industry:
Piston-pulling and handling components of engines or gearboxes in tight areas of ship engine rooms.
- Newspaper Industry:
Handling rollers in printing presses, installation of printing presses.



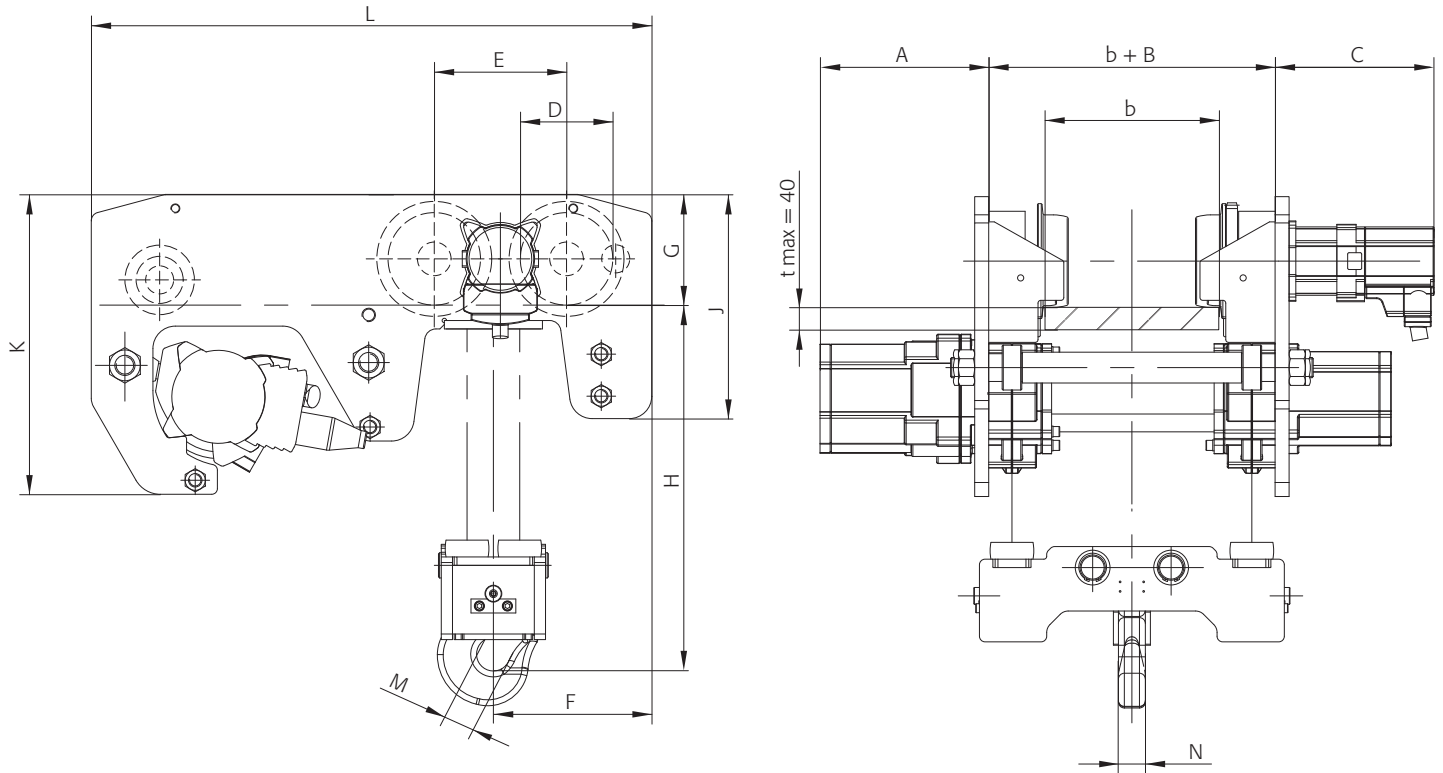
UH 100

■ TECHNICAL DATA

Type		UH 4	UH 6	UH 8	UH 12	UH 16
Carrying capacity	mt	4	6	8	12	16
Number of chain strands		2	2	4	4	4
Engine output	KW	2.5	2.5	2.5	2.5	2.5
Air pressure	PSI Bar	85 6	85 6	85 6	85 6	85 6
Lifting speed at full load	ft/min m/min	9.84 3.0	6.56 2.0	4.59 1.4	2.95 0.9	2.13 0.65
Lifting speed without load	ft/min m/min	19.69 6.0	14.76 4.5	9.51 2.9	7.22 2.2	3.94 1.2
Lowering speed at full load	ft/min m/min	24.61 7.5	17.06 5.2	11.81 3.6	8.20 2.5	4.92 1.5
Air consumption Lifting – full load	cfm m ³ /min	141.26 4.0	141.26 4.0	141.26 4.0	141.26 4.0	141.26 4.0
Air consumption Lowering – full load	cfm m ³ /min	194.23 5.5	194.23 5.5	194.23 5.5	194.23 5.5	194.23 5.5
Air connection		G 3/4	G 3/4	G 3/4	G 3/4	G 3/4
Hose dimension (Ø inside/Ø outside)	inch. mm	0.75/1.22 19/31	0.75/1.22 19/31	0.75/1.22 19/31	0.75/1.22 19/31	0.75/1.22 19/31
Weight at standard lift without control	lbs kg	1014.13 460	1036.17 470	1190.50 540	1212.54 550	1234.60 560
Chain dimension	inch. mm	0.51 x 1.42 13 x 36	0.51 x 1.42 13 x 36	0.51 x 1.42 13 x 36	0.51 x 1.42 13 x 36	0.51 x 1.42 13 x 36
Weight of 1m chain	lbs kg	8.38 3.8	8.38 3.8	8.38 3.8	8.38 3.8	8.38 3.8
Standard lift	ft m	10 3	10 3	10 3	10 3	9.84 3
Length of control at standard lift	ft m	6.5 2	6.5 2	6.5 2	6.5 2	6.56 2

Technical data for higher capacities on request.





DIMENSIONS

Type		UH 4	UH 6	UH 8	UH 12	UH 16
A	inch.	7.68	12.01	7.68	12.01	12.01
	mm	195	305	195	305	305
B	inch.	7.87	7.87	7.87	7.87	7.87
	mm	200	200	200	200	200
C	inch.	11.02	11.02	11.02	11.02	11.16
	mm	280	280	280	280	284
D	inch.	6.50	6.50	6.50	6.50	6.50
	mm	165	165	165	165	165
E	inch.	9.29	9.29	9.29	9.29	9.29
	mm	236	236	236	236	236
F	inch.	12.99	12.99	11.14	11.14	11.14
	mm	330	330	283	283	283
G	inch.	7.78	7.78	7.78	7.78	7.78
	mm	197.5	197.5	197.5	197.5	197.5
H*	inch.	9.06	9.06	-	-	-
	mm	230	230	-	-	-
H*	inch.	-	-	11.61	11.61	13.15
	mm	-	-	295	295	334
H*	inch.	-	-	10.87	10.87	12.40
	mm	-	-	276	276	315
J	inch.	15.75	15.75	15.75	15.75	15.75
	mm	400	400	400	400	400
K	inch.	21.06	21.06	21.06	21.06	21.06
	mm	535	535	535	535	535
L	inch.	39.37	39.37	39.37	39.37	39.37
	mm	1000	1000	1000	1000	1000
M	inch.	1.57	1.57	1.73	1.73	2.09
	mm	40	40	44	44	53
N	inch.	2.01	2.01	2.60	2.60	3.23
	mm	51	51	66	66	82

*Depends on beam dimensions, please consult factory.
 Technical data for higher capacities on request.