

### Quick Set-Up Design — A Tough, Compact Trolley

# VT Push Type Trolley

The Coffing VT is a versatile, push-type, industrial grade, hook mount trolley. Incorporating universal wheel tread design, the VT is ideal for use on a variety of American Standard Beams, wide flange beams, and patented track applications.

- **Capacities** - Rated loads from 1/4 to 3 tons.
- **Unique Side Frame / Load Bar Design** - "Dial Fit" adjusting collar reduces installation time from 40 minutes to less than 4 minutes.
- **Shielded Double Row Ball Bearings** - Smooth rolling for longer life and greater efficiency.
- **Hardened Wheels** - Fully hardened steel track wheels with angled wheel axis, specially designed to increase wheel and beam life.
- **Stamped Steel Side Plates** - Formed and welded into a tubular housing for less weight with no sacrifice in strength.
- **Negotiates Small Radius Curves** - 7 inches on 1 ton capacity.
- **Lifetime Lubricated**
- **Larger V-Bars Available** - For wider flange adjustments.
- **Options** - Trolley guards (safety lugs) available except on 3 ton.
- **Lifetime Warranty**



**1/4 - 3 Ton**  
Made In USA

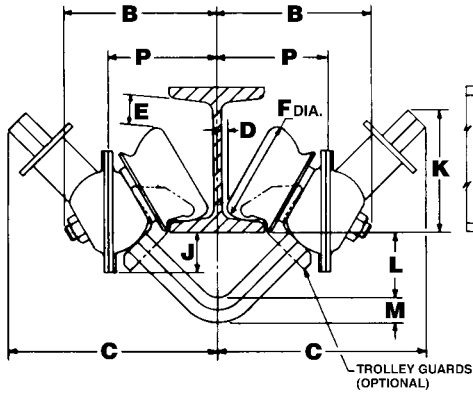
## SPECIFICATIONS

### VT Push Type Trolley

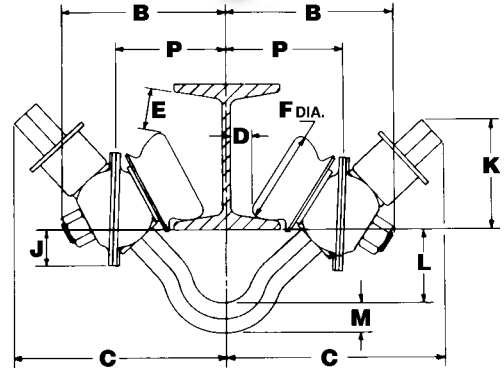
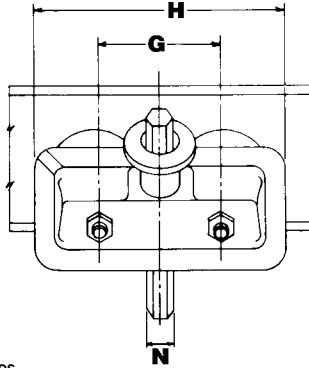
Capacity		Model Number	Adj. For Standard S-Beams		Tread Diameter (In.)	Net Weight (Lbs.)	Shipping Weight (Lbs.)	Minimum Radius Curve (In.)
Lbs.	Tons		Depth of Beam (in.)	Flange Width (In.)				
500	1/4	VT-05-A	4 - 12	2 <sup>5</sup> / <sub>8</sub> - 5 <sup>1</sup> / <sub>16</sub>	2 <sup>3</sup> / <sub>4</sub>	9	10	7
1000	1/2	VT-10-A	4 - 12	2 <sup>5</sup> / <sub>8</sub> - 5 <sup>1</sup> / <sub>16</sub>	2 <sup>3</sup> / <sub>4</sub>	9	10	7
2000	1	VT-20-A	4 - 12	2 <sup>5</sup> / <sub>8</sub> - 5 <sup>1</sup> / <sub>16</sub>	2 <sup>3</sup> / <sub>4</sub>	10	12	7
3000	1 1/2	VT-30-A	6 - 15	3 <sup>3</sup> / <sub>8</sub> - 5 <sup>5</sup> / <sub>8</sub>	3 1/2	23	25	10
4000	2	VT-40-A	6 - 15	3 <sup>3</sup> / <sub>8</sub> - 5 <sup>5</sup> / <sub>8</sub>	3 1/2	23	35	10
6000	3	VT-60-A	8 - 18	4 - 6 1/4	3 1/2	29	33	10

All capacities can be supplied for S-beams larger than listed and also for wide flange beams, rails, or tracks with approximately equivalent flange widths.

# DIMENSIONS



1/4 - 2 Ton Capacity



3 Ton Capacity

Capacity		Model Number	B*	C*	D*	E*	F	G	H	J*	K*	L*	M	N	P*
Lbs.	Tons														
500	1/4	VT-05-A	4 <sup>1</sup> / <sub>4</sub>	5 <sup>7</sup> / <sub>8</sub>	3 <sup>3</sup> / <sub>16</sub>	13 <sup>13</sup> / <sub>16</sub>	2 <sup>3</sup> / <sub>4</sub>	3 <sup>3</sup> / <sub>8</sub>	7	1 <sup>1</sup> / <sub>8</sub>	3 <sup>3</sup> / <sub>8</sub>	11 <sup>13</sup> / <sub>16</sub>	11 <sup>11</sup> / <sub>16</sub>	7 <sup>7</sup> / <sub>8</sub>	3
1000	1/2	VT-10-A	4 <sup>1</sup> / <sub>4</sub>	5 <sup>7</sup> / <sub>8</sub>	3 <sup>3</sup> / <sub>16</sub>	13 <sup>13</sup> / <sub>16</sub>	2 <sup>3</sup> / <sub>4</sub>	3 <sup>3</sup> / <sub>8</sub>	7	1 <sup>1</sup> / <sub>8</sub>	3 <sup>3</sup> / <sub>8</sub>	11 <sup>13</sup> / <sub>16</sub>	11 <sup>11</sup> / <sub>16</sub>	7 <sup>7</sup> / <sub>8</sub>	3
2000	1	VT-20-A	4 <sup>3</sup> / <sub>8</sub>	6	3 <sup>3</sup> / <sub>16</sub>	13 <sup>13</sup> / <sub>16</sub>	2 <sup>3</sup> / <sub>4</sub>	3 <sup>3</sup> / <sub>8</sub>	7	1 <sup>1</sup> / <sub>8</sub>	3 <sup>1</sup> / <sub>2</sub>	1 <sup>5</sup> / <sub>8</sub>	7 <sup>7</sup> / <sub>8</sub>	1	3 <sup>1</sup> / <sub>8</sub>
3000	1 <sup>1</sup> / <sub>2</sub>	VT-30-A	5 <sup>5</sup> / <sub>8</sub>	7 <sup>1</sup> / <sub>2</sub>	3 <sup>3</sup> / <sub>8</sub>	2 <sup>3</sup> / <sub>16</sub>	3 <sup>1</sup> / <sub>2</sub>	4 <sup>1</sup> / <sub>2</sub>	9	1 <sup>1</sup> / <sub>2</sub>	4 <sup>3</sup> / <sub>8</sub>	2	1 <sup>1</sup> / <sub>8</sub>	1 <sup>1</sup> / <sub>4</sub>	3 <sup>7</sup> / <sub>8</sub>
4000	2	VT-40-A	5 <sup>5</sup> / <sub>8</sub>	7 <sup>1</sup> / <sub>2</sub>	3 <sup>3</sup> / <sub>8</sub>	2 <sup>3</sup> / <sub>16</sub>	3 <sup>1</sup> / <sub>2</sub>	4 <sup>1</sup> / <sub>2</sub>	9	1 <sup>1</sup> / <sub>2</sub>	4 <sup>3</sup> / <sub>8</sub>	2	1 <sup>1</sup> / <sub>8</sub>	1 <sup>1</sup> / <sub>4</sub>	3 <sup>7</sup> / <sub>8</sub>
6000	3	VT-60-A	6 <sup>3</sup> / <sub>16</sub>	8 <sup>1</sup> / <sub>16</sub>	1 <sup>11</sup> / <sub>16</sub>	4 <sup>1</sup> / <sub>16</sub>	3 <sup>1</sup> / <sub>2</sub>	4 <sup>1</sup> / <sub>2</sub>	9	1 <sup>5</sup> / <sub>8</sub>	4 <sup>13</sup> / <sub>16</sub>	2 <sup>5</sup> / <sub>8</sub>	1 <sup>1</sup> / <sub>8</sub>	1 <sup>1</sup> / <sub>4</sub>	4 <sup>15</sup> / <sub>16</sub>

\* Dimensions given are for the minimum S-Beam and will vary with larger beams.  
**Minimum Radius Curve:** 7 In. for 1/4 - 1 Ton; 10 In. for 1 1/2 - 3 ton.

## ⚠ WARNING

Overloading and Improper Use Can Result In Injury

To Avoid Injury:

- Do not exceed working load limit, load rating, or capacity.
- Do not use to lift people or loads over people.
- Use only alloy chain and attachments for overhead lifting.
- Read and follow all instructions.

*Authorized Sales & Service*  
**J. HERBERT CORPORATION**  
 Call 1-800-255-0588  
 407-846-0588 Fax: 846-1066  
 info@jherbertcorp.com  
  
**Visit us online:**  
 www.jherbertcorp.com

High Performance Lifting™

# COFFING® HOISTS

Country Club Road • PO Box 779  
 Wadesboro, NC 28170 USA

Phone: (800) 477-5003 (704) 694-2156  
 FAX: (800) 374-6853 (704) 694-6829