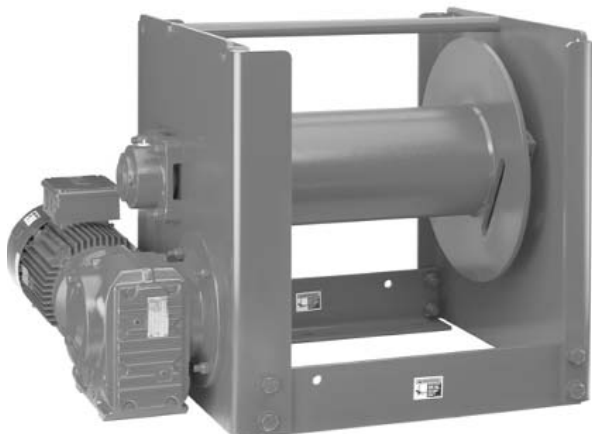


Series 4WS16M20



Series 4WS Worm/Spur Gear Power Winches

Up to 26,000 lb capacity

- **Modular Design** allows us to make-to-order each winch to meet your exact needs.
- **Standard Features** include TEFC brake motors, enclosed gearing, and flange style roller bearings.
- **Custom Modifications** including grooved drums, special drum lengths and diameters, limit switches, roller pressure bars, and special finishes are available, please contact factory. Pneumatic, hydraulic and alternate motor voltages are also available.
- **Two-Year Limited Warranty**

Wire rope assemblies and controls sold separately

Series 4WS Electric – Configurations and Performance Characteristics – Section 3

When ordering, please indicate Model Number and Extensions. Examples: 4WS9M18-7000-20-D; 4WS16M20-13000-20-E

model number	model number extensions				load rating (lb)			wire rope dia. (in)	line speed (fpm)		drum capacity (ft) ¹			approx. ship wt. (lb)
	load rating	line speed	motor codes	motor hp	1st layer	mid drum	full drum		1st layer	full drum	1st layer	mid drum	full drum	
4WS9M18	7000	20	D, E, F	5	7300	5000	3800	5/8	21	41	59	340	760	1098
4WS9M18	7000	30	D, E, F	7.5	7500	5200	4000	5/8	32	61	59	340	760	1095
4WS9M18	10000	10	D, E, F	5	10,000	6900	5300	5/8	13	24	59	340	760	1098
4WS9M18	10000	20	D, E, F	7.5	10,000	6900	5300	5/8	21	41	59	340	760	1095
4WS9M18	10000	30	D, E, F	10	10,000	6900	5200	5/8	32	61	59	340	760	1151
4WS16M20	13000	15	D, E, F	7.5	13,000	8800	6700	3/4	14	26	65	400	880	1550
4WS16M20	13000	20	D, E, F	10	13,300	9100	6900	3/4	18	35	65	400	880	1610
4WS16M20	13000	35	D, E, F	15	13,000	8900	6700	3/4	35	68	65	400	880	1650
4WS16M20	16000	15	D, E, F	7.5	16,000	11,100	8500	7/8	12	24	54	290	640	1550
4WS16M20	16000	20	D, E, F	10	16,000	11,100	8500	7/8	16	31	54	290	640	1610
4WS26M26	22000	20	D, E, F	15	22,800	16,700	13,200	1	18	31	82	370	830	3110
4WS26M26	22000	25	D, E, F	20	22,600	16,500	13,100	1	25	43	82	370	830	3290
4WS26M26	22000	35	D, E, F	25	22,200	16,300	12,900	1	36	63	82	370	830	3350
4WS26M26	26000	10	D, E, F	10	26,200	19,400	15,400	1-1/8	10	17	71	300	660	3070
4WS26M26	26000	15	D, E, F	15	26,000	20,200	16,500	1-1/8	16	27	71	300	660	3110

Motor Codes

D	230 volt	3 phase
E	460 volt	3 phase
F	All other voltages – please contact factory.	

¹ Actual drum capacities 25-30% less, due to nonuniform winding. Wire rope tension will also affect drum capacity.

Please contact factory or nearest Thern Distributor for firm fixed price and delivery.

Notes:

- For magnetic reversing starters see page 48.
- See page 47 for detailed information on standard drum control switches.
- Custom controls are available including wireless remote control, variable speed control, electronic overload, and enclosures for special environments.

Electric Motor Controls – Please Order Separately – Section 8

model	description	approx. ship wt.
EL4020	electric motor controls 230/3/60 to 3 hp	25 lb
EL4029	electric motor controls 230/3/60 to 7.5 hp	25 lb
EL4030	electric motor controls 230/3/60 to 10 hp	28 lb
EL4031	electric motor controls 230/3/60 to 20 hp	28 lb
EL4052	electric motor controls 230/3/60 to 30 hp	60 lb
EL4021	electric motor controls 460/3/60 to 7.5 hp	25 lb
EL4032	electric motor controls 460/3/60 to 15 hp	25 lb
EL4033	electric motor controls 460/3/60 to 20 hp	28 lb
EL4053	electric motor controls 460/3/60 to 40 hp	60 lb

Controls include NEMA 4 rated enclosure, and NEMA 4x rated pendant control on 50 foot cord.

Please contact factory or nearest Thern Distributor for firm fixed price and delivery.

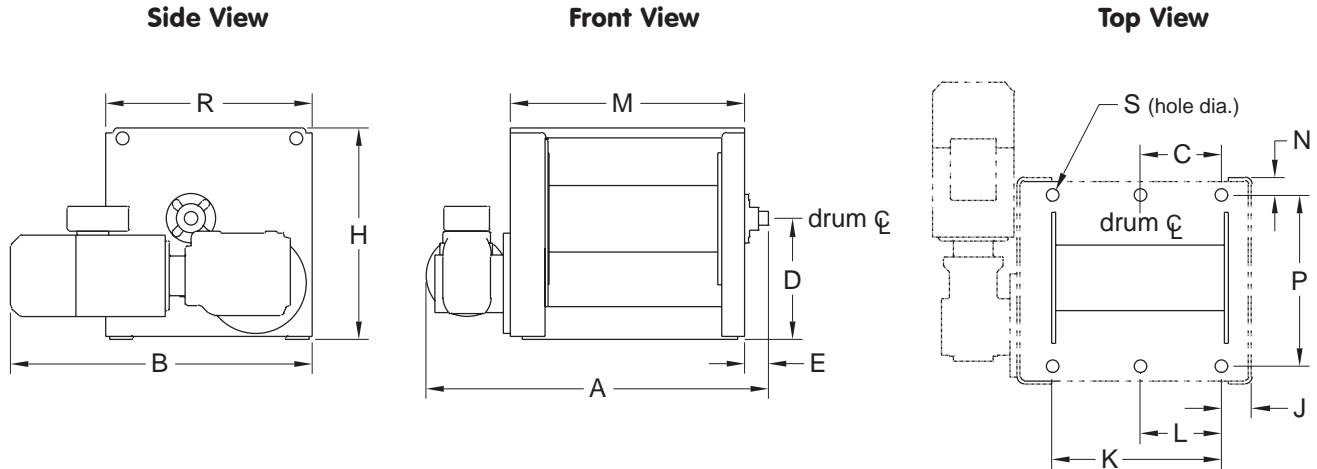
All prices include mounting and wiring to motor.

See Dimensions on Next Page

Authorized Sales & Service
J. HERBERT CORPORATION
 Call 1-800-255-0588
 407-846-0588 Fax: 846-1066
 info@jherbertcorp.com

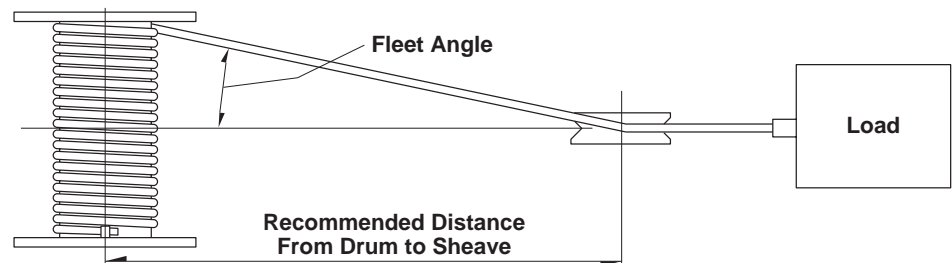
 Visit us online:
 www.jherbertcorp.com

Power Winches Section 3


Series 4WS – Winch Dimensions (in)

model extension	A	B	C	D	E	H	J	K	L	M	N	P	R	S (hole dia.)
4WS9M18-7000-20	44.00	33.62	8.50	17.75	5.12	31.00	4.00	18.00	–	26.00	2.75	22.00	27.50	1.19
4WS9M18-7000-30	45.25	38.50	8.50	17.75	5.12	31.00	4.00	18.00	–	26.00	2.75	22.00	27.50	1.19
4WS9M18-10000-10	44.00	33.62	8.50	17.75	5.12	31.00	4.00	18.00	–	26.00	2.75	22.00	27.50	1.19
4WS9M18-10000-20	45.25	38.50	8.50	17.75	5.12	31.00	4.00	18.00	–	26.00	2.75	22.00	27.50	1.19
4WS9M18-10000-30	45.25	40.00	8.50	17.75	5.12	31.00	4.00	18.00	–	26.00	2.75	22.00	27.50	1.19
4WS16M20-13000-15	47.75	34.75	9.50	20.00	6.25	34.00	4.00	20.00	10.00	29.00	2.75	27.50	33.00	1.19
4WS16M20-13000-20	47.75	36.75	9.50	20.00	6.25	34.00	4.00	20.00	10.00	29.00	2.75	27.50	33.00	1.19
4WS16M20-13000-35	47.75	39.25	9.50	20.00	6.25	34.00	4.00	20.00	10.00	29.00	2.75	27.50	33.00	1.19
4WS16M20-16000-15	47.75	34.75	9.50	20.00	6.25	34.00	4.00	20.00	10.00	29.00	2.75	27.50	33.00	1.19
4WS16M20-16000-20	47.75	36.75	9.50	20.00	6.25	34.00	4.00	20.00	10.00	29.00	2.75	27.50	33.00	1.19
4WS26M26-22000-20	60.50	43.25	12.50	25.38	8.25	44.50	5.88	26.00	13.00	38.00	3.00	36.00	42.00	1.38
4WS26M26-22000-25	60.50	47.00	12.50	25.38	8.25	44.50	5.88	26.00	13.00	38.00	3.00	36.00	42.00	1.38
4WS26M26-22000-35	60.50	49.75	12.50	25.38	8.25	44.50	5.88	26.00	13.00	38.00	3.00	36.00	42.00	1.38
4WS26M26-26000-10	60.50	42.00	12.50	25.38	8.25	44.50	5.88	26.00	13.00	38.00	3.00	36.00	42.00	1.38
4WS26M26-26000-15	60.50	43.25	12.50	25.38	8.25	44.50	5.88	26.00	13.00	38.00	3.00	36.00	42.00	1.38

Dimensions are for reference only and subject to change without notice. Please contact factory for exact dimensions.


Important:

It is the owner's or operator's responsibility to determine the suitability of the equipment to its intended use. Study all applicable codes, manuals, and regulations. Be sure to read the Owner's Manual supplied with the equipment before operating it.

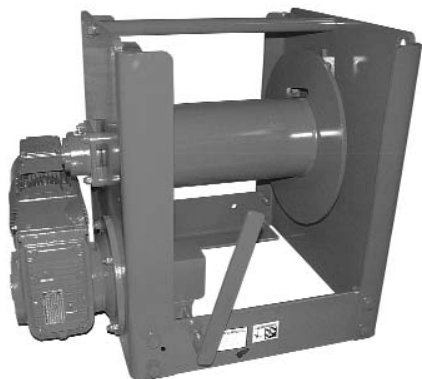
Series 4WS – Drum Dimensions

series	drum diameter	flange diameter	drum width	fleet angle distance ⁴
4WS9M18	9.00 in	20.00 in	18.00 in	29 ft
4WS16M20	10.75 in	24.00 in	20.00 in	32 ft
4WS26M26	14.00 in	28.00 in	26.00 in	42 ft

Dimensions are for reference only and subject to change without notice. Please contact factory for exact dimensions.

⁴ Recommended minimum distance between drum and lead sheave for smooth drum.

Series 4HS16M Shown with clutch



Wire rope assemblies and controls sold separately

Series 4HS Helical/Spur Gear Power Winches

Up to 26,000 lb capacity

- **Modular Design** allows us to make-to-order each winch to meet your exact needs.
- **Standard Features** include TEFC severe duty brake motors, enclosed gearing and flange style roller bearings.
- **Custom Modifications** available include grooved drums, special drum lengths and diameters, limit switches, roller pressure bars, and special finishes. Pneumatic, hydraulic and alternate motor voltages are also available.
- **Two-year Limited Warranty**

Series 4HS Electric – Configurations and Performance Characteristics – Section 3

When ordering, please indicate Model Number and Extensions

Examples: 4HS6M-6600-25-D (without clutch); 4HS6M-6600-25-D-C (with clutch)

model number	model number extensions				motor hp	load rating (lb)			wire rope dia.(in)	line speed (fpm)		drum capacity (ft) ¹ approx.			ship wt. (lb)
	load rating	line speed	motor codes	clutch option		1st layer	mid drum	full drum		1st layer	full drum	1st layer	mid drum	full drum	
4HS6M	5000	15	D, E, F	C	2	5100	3800	3100	1/2	13	22	60	220	500	568
4HS6M	5000	20	D, E, F	C	3	5100	3800	3100	1/2	20	33	60	220	500	588
4HS6M	5000	30	D, E, F	C	5	5100	3800	3100	1/2	33	55	60	220	500	588
4HS6M	6600	15	D, E, F	C	3	6600	5000	4000	1/2	15	25	60	220	500	588
4HS6M	6600	25	D, E, F	C	5	6600	4900	4000	1/2	25	41	60	220	500	588
4HS6M	6600	40	D, E, F	C	7.5	6600	5000	4000	1/2	39	64	60	220	500	645
4HS11M	9000	20	D, E, F	C	5	9000	6200	4700	5/8	19	35	59	340	760	1074
4HS11M	9000	30	D, E, F	C	7.5	9000	6200	4700	5/8	27	51	59	340	760	1120
4HS11M	9000	40	D, E, F	C	10	9000	6200	4700	5/8	37	70	59	340	760	1160
4HS11M	11000	15	D, E, F	C	5	11,000	7600	5800	5/8	15	28	59	340	760	1074
4HS11M	11000	20	D, E, F	C	7.5	11,000	7600	5800	5/8	21	40	59	340	760	1120
4HS11M	11000	30	D, E, F	C	10	11,000	7600	5800	5/8	27	51	59	340	760	1160
4HS16M	13000	20	D, E, F	C	7.5	13,000	8900	6700	3/4	19	37	65	400	880	1573
4HS16M	13000	25	D, E, F	C	10	13,000	8900	6700	3/4	24	46	65	400	880	1633
4HS16M	13000	40	D, E, F	C	15	13,000	8900	6700	3/4	37	72	65	400	880	1674
4HS16M	16000	10	D, E, F	C	5	16,100	11,000	8300	3/4	11	21	65	400	880	1516
4HS16M	16000	15	D, E, F	C	7.5	16,000	10,900	8300	3/4	16	30	65	400	880	1573
4HS16M	16000	20	D, E, F	C	10	16,100	11,000	8300	3/4	20	38	65	400	880	1633
4HS26M	22000	15	D, E, F	C	10	22,000	16,200	12,800	1	16	27	82	370	830	3122
4HS26M	22000	25	D, E, F	C	15	22,000	16,100	12,700	1	23	40	82	370	830	3164
4HS26M	22000	30	D, E, F	C	20	22,900	16,800	13,200	1	29	50	82	370	830	3343
4HS26M	26000	15	D, E, F	C	10	26,000	19,000	15,000	1	13	23	82	370	830	3122
4HS26M	26000	20	D, E, F	C	15	26,000	19,000	15,100	1	19	33	82	370	830	3164
4HS26M	26000	25	D, E, F	C	20	26,000	19,100	15,000	1	26	45	82	370	830	3343

Motor Codes

D	230 volt	3 phase
E	460 volt	3 phase
F	All other voltages – please contact factory.	

¹ Actual drum capacities 25-30% less, due to nonuniform winding. Wire rope tension will also affect drum capacity.

⁵ **Clutch option is for horizontal pulling only.** Weight shown is without clutch, contact factory for clutch weight.

Please contact factory or nearest Thern Distributor for firm fixed price and delivery.

Electric Motor Controls – Please Order Separately – Section 8

model	description	approx. ship wt.
EL4020	electric motor controls 230/3/60 to 3 hp	25 lb
EL4029	electric motor controls 230/3/60 to 7.5 hp	25 lb
EL4030	electric motor controls 230/3/60 to 10 hp	28 lb
EL4031	electric motor controls 230/3/60 to 20 hp	28 lb
EL4021	electric motor controls 460/3/60 to 7.5 hp	25 lb
EL4032	electric motor controls 460/3/60 to 15 hp	25 lb
EL4033	electric motor controls 460/3/60 to 20 hp	28 lb

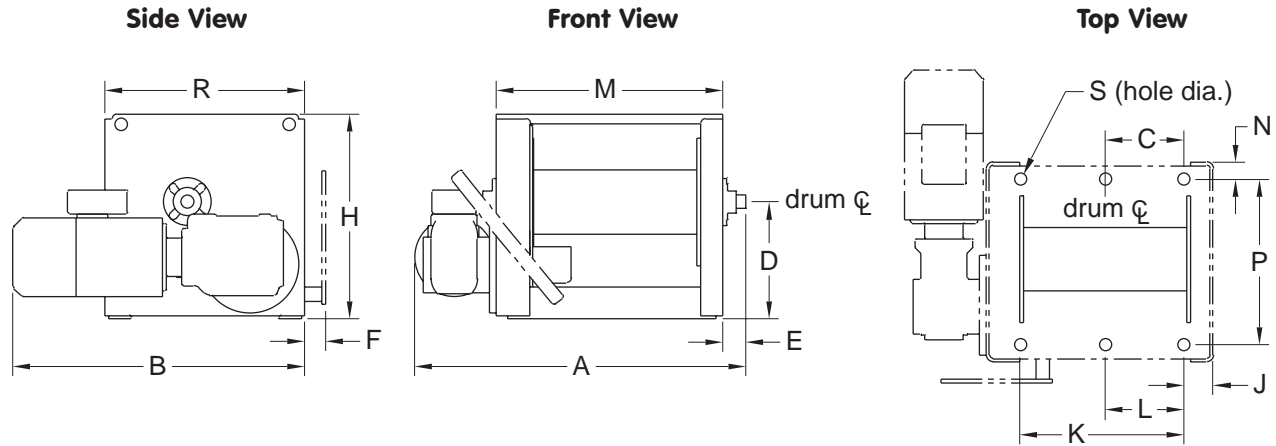
Controls include NEMA 4 rated enclosure, and NEMA 4x rated pendant control on 50 foot cord.

Please contact factory or nearest Thern Distributor for firm fixed price and delivery. All prices include mounting and wiring to motor.

See Dimensions on Next Page

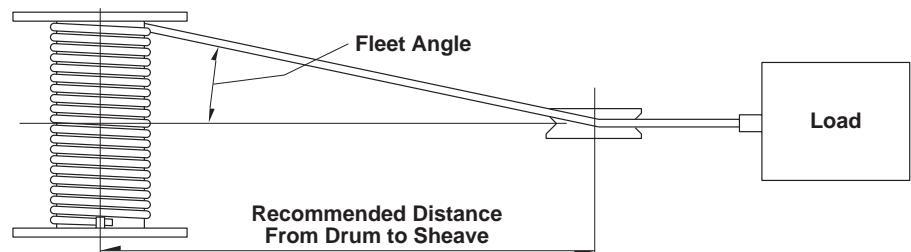
Notes:

- For magnetic reversing starters see page 48.
- See page 47 for detailed information on standard drum control switches.
- Custom controls are available including wireless remote control, variable speed control, electronic overload, and enclosures for special environments.


Series 4HS – Winch Dimensions (in)

model extension	A	B	C	D	E	F (clutch)	H	J	K	L	M	N	P	R	S (hole dia.)
4HS6M-5000-15	36.00	27.25	8.75	12.88	2.50	2.50	22.50	3.25	18.00	-	25.00	1.88	18.25	22.00	.88
4HS6M-5000-20	36.00	29.25	8.75	12.88	2.50	2.50	22.50	3.25	18.00	-	25.00	1.88	18.25	22.00	.88
4HS6M-5000-30	36.00	29.25	8.75	12.88	2.50	2.50	22.50	3.25	18.00	-	25.00	1.88	18.25	22.00	.88
4HS6M-6600-15	36.00	29.25	8.75	12.88	2.50	2.50	22.50	3.25	18.00	-	25.00	1.88	18.25	22.00	.88
4HS6M-6600-25	36.00	29.25	8.75	12.88	2.50	2.50	22.50	3.25	18.00	-	25.00	1.88	18.25	22.00	.88
4HS6M-6600-40	36.00	29.25	8.75	12.88	2.50	2.50	22.50	3.25	18.00	-	25.00	1.88	18.25	22.00	.88
4HS11M-9000-20	41.00	31.75	8.50	17.75	5.25	2.50	31.00	4.00	18.00	-	26.00	2.75	22.00	27.50	1.19
4HS11M-9000-30	41.25	34.75	8.50	17.75	5.25	2.50	31.00	4.00	18.00	-	26.00	2.75	22.00	27.50	1.19
4HS11M-9000-40	42.25	36.75	8.50	17.75	5.25	2.50	31.00	4.00	18.00	-	26.00	2.75	22.00	27.50	1.19
4HS11M-11000-15	41.00	31.75	8.50	17.75	5.25	2.50	31.00	4.00	18.00	-	26.00	2.75	22.00	27.50	1.19
4HS11M-11000-20	41.25	34.75	8.50	17.75	5.25	2.50	31.00	4.00	18.00	-	26.00	2.75	22.00	27.50	1.19
4HS11M-11000-30	42.25	36.75	8.50	17.75	5.25	2.50	31.00	4.00	18.00	-	26.00	2.75	22.00	27.50	1.19
4HS16M-13000-20	46.00	37.25	9.50	20.00	6.25	2.00	34.00	4.00	20.00	10.00	29.00	2.75	27.50	33.00	1.19
4HS16M-13000-25	46.75	39.50	9.50	20.00	6.25	2.00	34.00	4.00	20.00	10.00	29.00	2.75	27.50	33.00	1.19
4HS16M-13000-40	46.75	41.75	9.50	20.00	6.25	2.00	34.00	4.00	20.00	10.00	29.00	2.75	27.50	33.00	1.19
4HS16M-16000-10	46.00	34.50	9.50	20.00	6.25	2.00	34.00	4.00	20.00	10.00	29.00	2.75	27.50	33.00	1.19
4HS16M-16000-15	46.00	37.25	9.50	20.00	6.25	2.00	34.00	4.00	20.00	10.00	29.00	2.75	27.50	33.00	1.19
4HS16M-16000-20	46.75	39.50	9.50	20.00	6.25	2.00	34.00	4.00	20.00	10.00	29.00	2.75	27.50	33.00	1.19
4HS26M-22000-15	60.25	42.50	12.50	25.38	8.25	2.50	44.50	5.88	26.00	13.00	38.00	3.00	36.00	42.00	1.38
4HS26M-22000-25	60.25	44.75	12.50	25.38	8.25	2.50	44.50	5.88	26.00	13.00	38.00	3.00	36.00	42.00	1.38
4HS26M-22000-30	60.25	48.50	12.50	25.38	8.25	2.50	44.50	5.88	26.00	13.00	38.00	3.00	36.00	42.00	1.38
4HS26M-26000-15	60.25	42.50	12.50	25.38	8.25	2.50	44.50	5.88	26.00	13.00	38.00	3.00	36.00	42.00	1.38
4HS26M-26000-20	60.25	44.75	12.50	25.38	8.25	2.50	44.50	5.88	26.00	13.00	38.00	3.00	36.00	42.00	1.38
4HS26M-26000-25	60.25	48.50	12.50	25.38	8.25	2.50	44.50	5.88	26.00	13.00	38.00	3.00	36.00	42.00	1.38

Dimensions are for reference only and subject to change without notice. Please contact factory for exact dimensions.


Important:

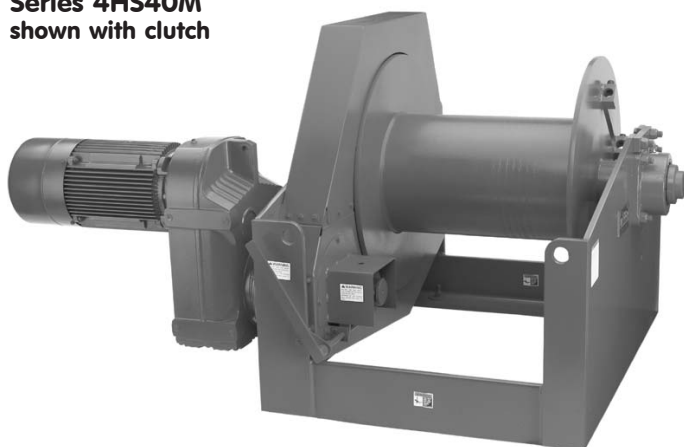
It is the owner's or operator's responsibility to determine the suitability of the equipment to its intended use. Study all applicable codes, manuals, and regulations. Be sure to read the Owner's Manual supplied with the equipment before operating it.

Series 4HS – Drum Dimensions

series	drum diameter	flange diameter	drum width	fleet angle distance ⁴
4HS6M	7.00 in	14.00 in	18.00 in	29 ft
4HS11M	9.00 in	20.00 in	18.00 in	29 ft
4HS16M	10.75 in	24.00 in	20.00 in	32 ft
4HS26M	14.00 in	28.00 in	26.00 in	42 ft

Dimensions are for reference only and subject to change without notice. Please contact factory for exact dimensions.

⁴ Recommended minimum distance between drum and lead sheave for smooth drum.

Series 4HS40M
 shown with clutch


Wire rope assemblies and controls sold separately

Series 4HS Helical/Spur Gear Power Winches

Up to 56,000 lb capacity

- **Modular Design** allows us to make to order each winch to meet your exact needs.
- **Standard Features** include TEFC severe duty brake motors, enclosed gearing and flange style roller bearings. Custom modifications are also available.
- **Custom Modifications** including grooved drums, special drum lengths and diameters, limit switches, roller pressure bars, and special finishes are available, please contact factory. Pneumatic, hydraulic and alternate motor voltages are also available.
- **Two-year Limited Warranty**

Series 4HS Electric – Configurations and Performance Characteristics – Section 3

When ordering, please indicate Model Number and Extensions

Examples: 4HS40M-40000-25-D (without clutch); 4HS40M-40000-25-D-C (with clutch)

model number	model number extensions				motor hp	load rating (lb)			wire rope dia.(in)	line speed (fpm)		drum capacity (ft) ¹ approx.			ship wt.(lb)
	load rating	line speed	motor codes	clutch option		1st layer	mid drum	full drum		1st layer	full drum	1st layer	mid drum	full drum	
4HS40M	33000	20	D, E, F	C	20	33,100	24,100	18,900	1-1/4	19	34	95	460	1030	5568
4HS40M	33000	30	D, E, F	C	30	33,000	24,100	18,900	1-1/4	29	51	95	460	1030	5652
4HS40M	33000	40	D, E, F	C	40	33,100	24,100	18,900	1-1/4	39	68	95	460	1030	5799
4HS40M	40000	20	D, E, F	C	20	40,300	29,300	23,000	1-1/4	17	29	95	460	1030	5568
4HS40M	40000	25	D, E, F	C	30	40,300	29,400	23,100	1-1/4	23	41	95	460	1030	5652
4HS40M	40000	35	D, E, F	C	40	40,000	29,400	22,900	1-1/4	34	59	95	460	1030	5799
4HS56M	48000	20	D, E, F	C	30	48,000	37,200	30,300	1-1/2	21	33	130	510	1140	9217
4HS56M	48000	30	D, E, F	C	40	48,000	37,200	30,300	1-1/2	28	44	130	510	1140	9364
4HS56M	52000	35	D, E, F	C	50	52,200	40,400	32,900	1-1/2	33	52	130	510	1140	9479
4HS56M	56000	20	D, E, F	C	30	56,000	43,300	35,400	1-1/2	18	29	130	510	1140	9217
4HS56M	56000	25	D, E, F	C	40	56,000	43,400	35,400	1-1/2	24	38	130	510	1140	9364
4HS56M	56000	30	D, E, F	C	50	56,200	43,500	35,500	1-1/2	30	47	130	510	1140	9479

Motor Codes

D	230 volt	3 phase
E	460 volt	3 phase
F	All other voltages – please contact factory.	

¹ Actual drum capacities 25-30% less, due to nonuniform winding. Wire rope tension will also affect drum capacity.

⁵ **Clutch option is for horizontal pulling only.** Weight shown is without clutch, contact factory for clutch weight.

Please contact factory or nearest Thern Distributor for firm fixed price and delivery.

Notes:

- For magnetic reversing starters see page 48.
- See page 47 for detailed information on standard drum control switches.
- Custom controls are available including wireless remote control, variable speed control, electronic overload, and enclosures for special environments.

Electric Motor Controls – Please Order Separately – Section 8

model	description	approx. ship wt.
EL4031	electric motor controls 230/3/60 to 20 hp	28 lb
EL4052	electric motor controls 230/3/60 to 30 hp	60 lb
EL4033	electric motor controls 460/3/60 to 20 hp	28 lb
EL4053	electric motor controls 460/3/60 to 40 hp	60 lb
EL4054	electric motor controls 460/3/60 to 60 hp	60 lb

Controls include NEMA 4 rated enclosure, and NEMA 4x rated pendant control on 50 foot cord.

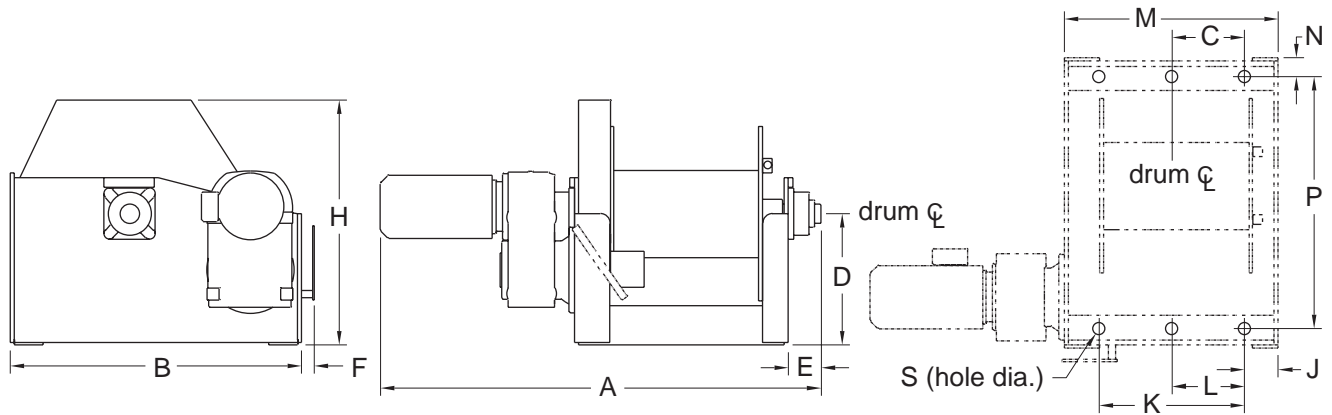
Please contact factory or nearest Thern Distributor for firm fixed price and delivery. All prices include mounting and wiring to motor.

See Dimensions on Next Page

Side View

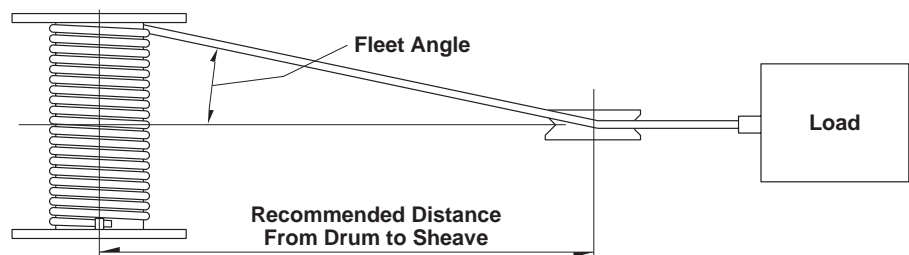
Front View

Top View


Series 4HS – Winch Dimensions (in)

model extension	A	B	C	D	F	E	H	J	K	L	M	N	P	S (hole dia.)
4HS40M-33000-20	91.00	60.00	14.00	27.00	2.75	6.75	51.00	7.00	30.00	–	44.00	4.00	52.00	1.75
4HS40M-33000-30	93.75	60.00	14.00	27.00	2.75	6.75	51.00	7.00	30.00	–	44.00	4.00	52.00	1.75
4HS40M-33000-40	95.75	60.00	14.00	27.00	2.75	6.75	51.00	7.00	30.00	–	44.00	4.00	52.00	1.75
4HS40M-40000-20	91.00	60.00	14.00	27.00	2.75	6.75	51.00	7.00	30.00	–	44.00	4.00	52.00	1.75
4HS40M-40000-25	93.75	60.00	14.00	27.00	2.75	6.75	51.00	7.00	30.00	–	44.00	4.00	52.00	1.75
4HS40M-40000-35	95.75	60.00	14.00	27.00	2.75	6.75	51.00	7.00	30.00	–	44.00	4.00	52.00	1.75
4HS56M-48000-20	108.00	72.00	18.00	32.00	2.75	8.75	62.00	7.00	36.00	18.00	54.00	4.50	63.00	1.75
4HS56M-48000-30	110.00	72.00	18.00	32.00	2.75	8.75	62.00	7.00	36.00	18.00	54.00	4.50	63.00	1.75
4HS56M-52000-35	113.00	72.00	18.00	32.00	2.75	8.75	62.00	7.00	36.00	18.00	54.00	4.50	63.00	1.75
4HS56M-56000-20	108.00	72.00	18.00	32.00	2.75	8.75	62.00	7.00	36.00	18.00	54.00	4.50	63.00	1.75
4HS56M-56000-25	110.00	72.00	18.00	32.00	2.75	8.75	62.00	7.00	36.00	18.00	54.00	4.50	63.00	1.75
4HS56M-56000-30	113.00	72.00	18.00	32.00	2.75	8.75	62.00	7.00	36.00	18.00	54.00	4.50	63.00	1.75

Dimensions are for reference only and subject to change without notice. Please contact factory for exact dimensions.


Series 4HS – Drum Dimensions

series	drum diameter	flange diameter	drum width	fleet angle distance ⁴
4HS40M	18.00 in	36.00 in	30.00 in	48 ft
4HS56M	24.00 in	43.00 in	36.00 in	58 ft

Dimensions are for reference only and subject to change without notice. Please contact factory for exact dimensions.

⁴ Recommended minimum distance between drum and lead sheave for smooth drum.

Important:

It is the owner's or operator's responsibility to determine the suitability of the equipment to its intended use. Study all applicable codes, manuals, and regulations. Be sure to read the Owner's Manual supplied with the equipment before operating it.

Series 4HPF5M



Wire rope assemblies and controls sold separately

- **Clutch Models** are available, see page 26 or contact the factory for information.
- **Two-year Limited Warranty**

Series 4HPF Helical/Parallel Gear Power Winches

Up to 26,000 lb capacity

- **Helical/Parallel Gearing** provides efficiency required for applications involving quick line speeds or long travel distances.
- **Standard Features** include TEFC severe duty brake motors, enclosed gearing and flange style roller bearings.
- **Custom Modifications** including grooved drums, special drum lengths and diameters, limit switches, roller pressure bars, and special finishes are available, please contact factory. Pneumatic, hydraulic and alternate motor voltages are also available.

Series 4HPF Electric – Configurations and Performance Characteristics – Section 3

When ordering, please indicate Model Number and Extensions - Examples: 4HPF9M-9000-20-D; 4HPF9M-9000-40-E

model number	model number extensions			motor hp	load rating (lb)			wire rope dia. (in)	line speed (fpm)		drum capacity (ft) ¹			approx. ship wt. (lb)
	load rating	line speed	motor codes		1st layer	mid drum	full drum		1st layer	full drum	1st layer	mid drum	full drum	
4HPF2M	2000	20	D, E, F	1	2100	1300	1000	5/16	17	38	34	250	560	170
4HPF2M	2000	35	D, E, F	2	2100	1300	1000	5/16	34	76	34	250	560	200
4HPF3M	3000	20	D, E, F	1.5	3000	2100	1600	3/8	19	33	33	160	360	250
4HPF3M	3000	35	D, E, F	3	3300	2300	1800	3/8	33	59	33	160	360	260
4HPF5M	5000	20	D, E, F	3	5000	3100	2300	1/2	22	49	52	400	890	495
4HPF5M	5000	35	D, E, F	5	5000	3100	2300	1/2	37	81	52	400	890	495
4HPF7M	7000	25	D, E, F	5	7300	5400	4300	5/8	24	40	51	230	510	645
4HPF7M	7000	40	D, E, F	7.5	7300	5400	4300	5/8	38	64	51	230	510	760
4HPF9M	9000	20	D, E, F	5	9000	6500	5100	3/4	21	37	65	310	700	1000
4HPF9M	9000	40	D, E, F	10	9000	6500	5100	3/4	41	73	65	310	700	1115
4HPF15M	15000	25	D, E, F	10	14,300	10,900	8800	7/8	26	41	57	210	480	1340
4HPF15M	15000	35	D, E, F	15	15,100	11,500	9300	7/8	36	59	57	210	480	1370
4HPF20M	20000	20	D, E, F	10	20,100	14,100	10,800	1	17	31	97	520	1160	2395
4HPF20M	20000	40	D, E, F	25	20,100	14,000	10,800	1	43	81	97	520	1160	2620
4HPF25M	25000	20	D, E, F	15	25,200	19,200	15,500	1-1/8	20	32	96	380	840	3185
4HPF25M	25000	40	D, E, F	30	25,000	19,000	15,400	1-1/8	42	68	96	380	840	3440

Motor Codes

D	230 volt	3 phase
E	460 volt	3 phase
F	All other voltages – please contact factory.	

¹ Actual drum capacities 25-30% less, due to nonuniform winding. Wire rope tension will also affect drum capacity.

Please contact factory or nearest Thern Distributor for firm fixed price and delivery.

Electric Motor Controls – Please Order Separately – Section 8

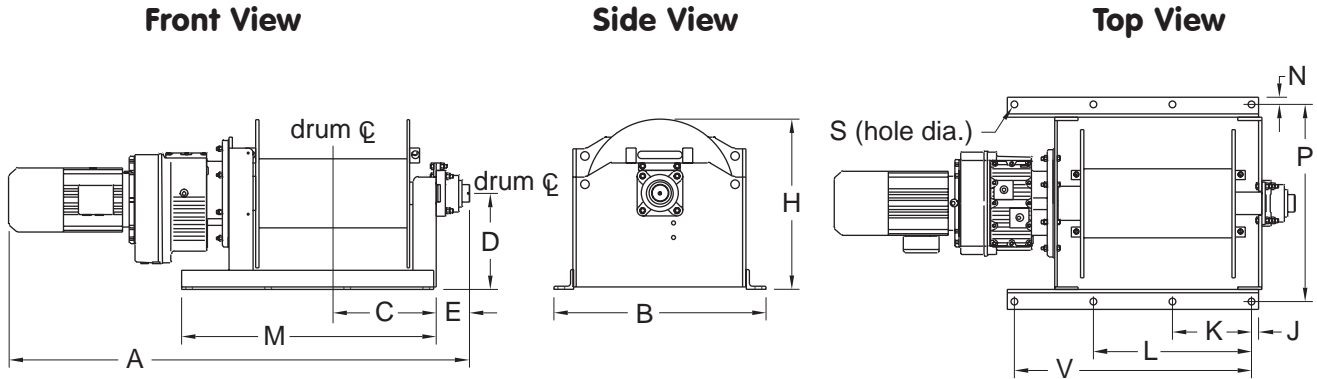
model	description	approx. ship wt.
EL4020	electric motor controls 230/3/60 to 3 hp	25 lb
EL4029	electric motor controls 230/3/60 to 7.5 hp	25 lb
EL4030	electric motor controls 230/3/60 to 10 hp	28 lb
EL4031	electric motor controls 230/3/60 to 20 hp	28 lb
EL4052	electric motor controls 230/3/60 to 30 hp	60 lb
EL4021	electric motor controls 460/3/60 to 7.5 hp	25 lb
EL4032	electric motor controls 460/3/60 to 15 hp	25 lb
EL4033	electric motor controls 460/3/60 to 20 hp	28 lb
EL4053	electric motor controls 460/3/60 to 40 hp	60 lb

Controls include NEMA 4 rated enclosure, and NEMA 4x rated pendant control on 50 foot cord.

Please contact factory or nearest Thern Distributor for firm fixed price and delivery.

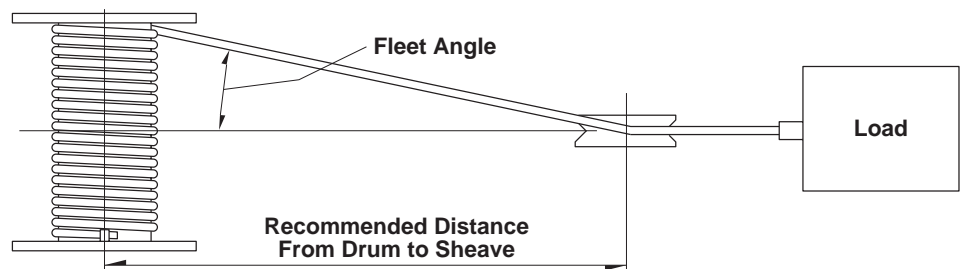
All prices include mounting and wiring to motor.

See Dimensions on Next Page


Series 4HPF – Winch Dimensions (in)

model extension	A	B	C	D	E	H	J	K	L	M	N	P	S (hole dia.)	V
4HPF2M-2000-20	37.50	17.00	7.56	8.00	2.38	14.28	1.00	10.00	20.00	22.56	.62	15.75	.59	–
4HPF2M-2000-35	39.00	17.00	7.56	8.00	2.38	14.28	1.00	10.00	20.00	22.56	.62	15.75	.59	–
4HPF3M-3000-20	42.00	17.00	7.56	8.00	2.38	14.00	1.00	10.00	20.00	22.56	.62	15.75	.59	–
4HPF3M-3000-35	42.00	17.00	7.56	8.00	2.38	14.00	1.00	10.00	20.00	22.56	.62	15.75	.59	–
4HPF5M-5000-20	54.25	26.00	11.50	12.00	5.12	21.00	1.00	15.25	30.50	33.38	1.00	24.00	.88	–
4HPF5M-5000-35	54.25	26.00	11.50	12.00	5.12	21.00	1.00	15.25	30.50	33.38	1.00	24.00	.88	–
4HPF7M-7000-25	56.00	26.00	11.50	12.00	5.12	21.00	1.00	15.25	30.50	33.38	1.00	24.00	.88	–
4HPF7M-7000-40	59.00	26.00	11.50	12.00	5.12	21.00	1.00	15.25	30.50	33.38	1.00	24.00	.88	–
4HPF9M-9000-20	64.25	31.00	14.50	14.50	6.25	25.50	1.25	13.25	26.50	43.50	1.12	28.75	1.12	39.75
4HPF9M-9000-40	69.25	31.00	14.50	14.50	6.25	25.50	1.25	13.25	26.50	43.50	1.12	28.75	1.12	39.75
4HPF15M-15000-25	71.50	31.00	14.50	14.50	6.25	25.50	1.25	13.25	26.50	43.50	1.12	28.75	1.12	39.75
4HPF15M-15000-35	74.00	31.00	14.50	14.50	6.25	25.50	1.25	13.25	26.50	43.50	1.12	28.75	1.12	39.75
4HPF20M-20000-20	90.00	43.00	21.00	19.50	6.75	34.50	1.50	16.00	32.00	51.62	1.50	40.00	1.38	48.00
4HPF20M-20000-40	96.50	43.00	21.00	19.50	6.75	34.50	1.50	16.00	32.00	51.62	1.50	40.00	1.38	48.00
4HPF25M-25000-20	93.25	43.00	21.00	19.50	6.75	34.50	1.50	16.00	32.00	51.62	1.50	40.00	1.38	48.00
4HPF25M-25000-40	99.75	43.00	21.00	19.50	6.75	34.50	1.50	16.00	32.00	51.62	1.50	40.00	1.38	48.00

Dimensions are for reference only and subject to change without notice. Please contact factory for exact dimensions.


Series 4HPF – Drum Dimensions

series	drum diameter	flange diameter	drum width	fleet angle distance ⁴
4HPF2M	4.50 in	12.00 in	10.00 in	16 ft
4HPF3M	5.50 in	12.00 in	10.00 in	16 ft
4HPF5M	7.00 in	18.00 in	16.00 in	26 ft
4HPF7M	9.00 in	18.00 in	16.00 in	26 ft
4HPF9M	10.75 in	22.00 in	20.00 in	32 ft
4HPF15M	11.50 in	22.00 in	20.00 in	32 ft
4HPF20M	14.00 in	30.00 in	30.00 in	48 ft
4HPF25M	16.00 in	30.00 in	30.00 in	48 ft

Dimensions are for reference only and subject to change without notice. Please contact factory for exact dimensions.

⁴ Recommended minimum distance between drum and lead sheave for smooth drum.

Important:

It is the owner's or operator's responsibility to determine the suitability of the equipment to its intended use. Study all applicable codes, manuals, and regulations. Be sure to read the Owner's Manual supplied with the equipment before operating it.

Series 4HPF5MC

Clutch units are for horizontal pulling only



Wire rope assemblies and controls sold separately

Series 4HPFC Helical/Parallel Gear Power Winches with Clutch

Up to 15,000 lb capacity

- **Helical/Parallel Gearing** provides efficiency required for applications involving quick line speeds or long travel distances.
- **Standard Features** include TEFC severe duty brake motors, enclosed gearing and flange style roller bearings.
- **Manually Operated Jaw Clutch** allows you to disengage the drum for rapid payout of wire rope when not under load. An adjustable drag brake on the drum prevents overspooling during payout.
- **Custom Modifications** available include grooved drums, special drum lengths and diameters, limit switches, roller pressure bars, and special finishes. Pneumatic, hydraulic and alternate motor voltages are also available.
- **Two-year Limited Warranty**

Series 4HPFC Electric – Configurations and Performance Characteristics – Section 3

When ordering, please indicate Model Number and Extensions - Examples: 4HPF9MC-9000-20-D; 4HPF9MC-9000-40-E

model number	model number extensions			load rating (lb)			wire rope dia. (in)	line speed (fpm)		drum capacity (ft) ¹			approx. ship wt. (lb)	
	load rating	line speed	motor codes	motor hp	1st layer	mid drum		full drum	1st layer	full drum	1st layer	mid drum		full drum
4HPF2MC	2000	20	D, E, F	1	2100	1300	1000	5/16	17	38	34	250	560	265
4HPF2MC	2000	35	D, E, F	2	2100	1300	1000	5/16	34	75	34	250	560	295
4HPF3MC	3000	20	D, E, F	1.5	3300	2300	1800	3/8	17	60	33	160	360	275
4HPF3MC	3000	35	D, E, F	3	3300	2300	1800	3/8	34	61	33	160	360	295
4HPF5MC	5000	20	D, E, F	3	5000	3100	2300	1/2	21	45	52	400	890	545
4HPF5MC	5000	35	D, E, F	5	5000	3100	2300	1/2	36	80	52	400	890	545
4HPF7MC	7000	25	D, E, F	5	7300	5400	4300	5/8	25	42	51	230	510	700
4HPF7MC	7000	35	D, E, F	7.5	7300	5400	4300	5/8	36	61	51	230	510	755
4HPF9MC	9000	20	D, E, F	5	9000	6500	5100	3/4	21	37	65	310	700	1245
4HPF9MC	9000	40	D, E, F	10	9000	6500	5100	3/4	41	73	65	310	700	1360
4HPF15MC	15000	20	D, E, F	10	15,100	11,500	9300	7/8	22	36	57	210	480	1580
4HPF15MC	15000	35	D, E, F	15	15,200	11,600	9400	7/8	35	57	57	210	480	1620

Motor Codes

D	230 volt	3 phase
E	460 volt	3 phase
F	All other voltages – please contact factory.	

¹ Actual drum capacities 25-30% less, due to nonuniform winding. Wire rope tension will also affect drum capacity.

Please contact factory or nearest Thern Distributor for firm fixed price and delivery.

Electric Motor Controls – Please Order Separately – Section 8

model	description	approx. ship wt.
EL4020	electric motor controls 230/3/60 to 3 hp	25 lb
EL4029	electric motor controls 230/3/60 to 7.5 hp	25 lb
EL4030	electric motor controls 230/3/60 to 10 hp	28 lb
EL4031	electric motor controls 230/3/60 to 20 hp	28 lb
EL4021	electric motor controls 460/3/60 to 7.5 hp	25 lb
EL4032	electric motor controls 460/3/60 to 15 hp	25 lb

Controls include NEMA 4 rated enclosure, and NEMA 4x rated pendant control on 50 foot cord.

Please contact factory or nearest Thern Distributor for firm fixed price and delivery.

All prices include mounting and wiring to motor.

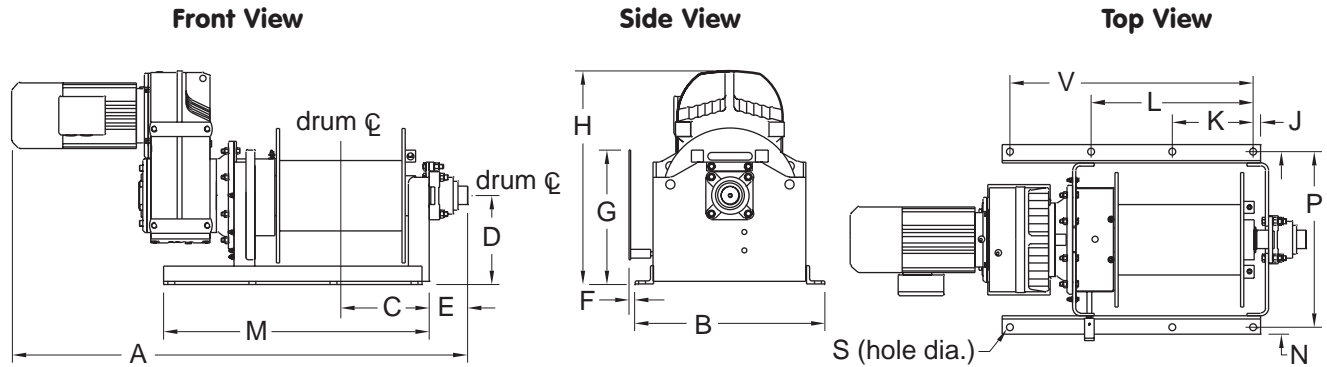
See Dimensions on Next Page

Notes:

■ For magnetic reversing starters see page 48.

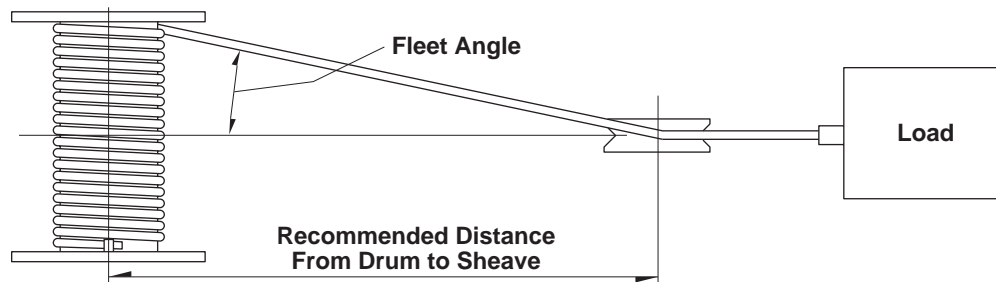
■ See page 47 for detailed information on standard drum control switches.

■ Custom controls are available including wireless remote control, variable speed control, electronic overload, and enclosures for special environments.


Series 4HPFC – Winch Dimensions (in)

model extension	A	B	C	D	E	F	G	H	J	K	L	M	N	P	S (hole dia.)	V
4HPF2MC-2000-20	38.50	17.00	7.56	8.00	2.38	.88	19.88	16.00	1.00	10.00	20.00	22.56	.62	15.75	.59	-
4HPF2MC-2000-35	40.00	17.00	7.56	8.00	2.38	.88	19.88	17.00	1.00	10.00	20.00	22.56	.62	15.75	.59	-
4HPF3MC-3000-20	40.75	17.00	7.56	8.00	2.38	.88	19.88	18.25	1.00	10.00	20.00	22.56	.62	15.75	.59	-
4HPF3MC-3000-35	42.75	17.00	7.56	8.00	2.38	.88	19.88	18.25	1.00	10.00	20.00	22.56	.62	15.75	.59	-
4HPF5MC-5000-20	55.00	26.00	11.50	12.00	5.12	-	22.25	24.25	1.00	15.25	30.50	33.38	1.00	24.00	.88	-
4HPF5MC-5000-35	55.00	26.00	11.50	12.00	5.12	-	22.25	24.25	1.00	15.25	30.50	33.38	1.00	24.00	.88	-
4HPF7MC-7000-25	55.75	26.00	11.50	12.00	5.12	-	22.25	27.00	1.00	15.25	30.50	33.38	1.00	24.00	.88	-
4HPF7MC-7000-40	58.50	26.00	11.50	12.00	5.12	-	22.25	27.00	1.00	15.25	30.50	33.38	1.00	24.00	.88	-
4HPF9MC-9000-20	66.00	31.00	14.50	14.50	6.25	-	22.00	32.00	1.25	13.25	26.50	43.50	1.12	28.75	1.12	39.75
4HPF9MC-9000-40	71.00	31.00	14.50	14.50	6.25	-	22.00	32.00	1.25	13.25	26.50	43.50	1.12	28.75	1.12	39.75
4HPF15MC-15000-25	72.25	31.00	14.50	14.50	6.25	-	22.00	34.88	1.25	13.25	26.50	43.50	1.12	28.75	1.12	39.75
4HPF15MC-15000-35	74.50	31.00	14.50	14.50	6.25	-	22.00	34.88	1.25	13.25	26.50	43.50	1.12	28.75	1.12	39.75

Dimensions are for reference only and subject to change without notice. Please contact factory for exact dimensions.


Series 4HPFC – Drum Dimensions

series	drum diameter	flange diameter	drum width	fleet angle distance ⁴
4HPF2MC	4.50 in	12.00 in	10.00 in	16 ft
4HPF3MC	5.50 in	12.00 in	10.00 in	16 ft
4HPF5MC	7.00 in	18.00 in	16.00 in	26 ft
4HPF7MC	9.00 in	18.00 in	16.00 in	26 ft
4HPF9MC	10.75 in	22.00 in	20.00 in	32 ft
4HPF15MC	11.50 in	22.00 in	20.00 in	32 ft

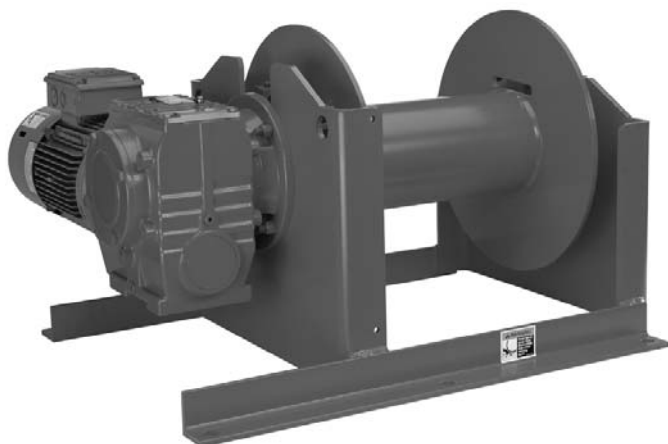
Dimensions are for reference only and subject to change without notice. Please contact factory for exact dimensions.

⁴ Recommended minimum distance between drum and lead sheave for smooth drum.

Important:

It is the owner's or operator's responsibility to determine the suitability of the equipment to its intended use. Study all applicable codes, manuals, and regulations. Be sure to read the Owner's Manual supplied with the equipment before operating it.

Series 4HWF2M



Wire rope assemblies and controls sold separately

Series 4HWF Helical/Worm Gear Power Winches

Up to 8100 lb capacity

- **Helical/Worm Gearing** provides rugged reliability suitable for severe duty applications.
- **Standard Features** include TEFC severe duty brake motors, enclosed gearing and flange style roller bearings. Custom modifications are also available.
- **Custom Modifications** including grooved drums, special drum lengths and diameters, limit switches, roller pressure bars, and special finishes are available, please contact factory. Pneumatic, hydraulic and alternate motor voltages are also available.
- **Two-year Limited Warranty**

Series 4HWF Electric – Configurations and Performance Characteristics – Section 3

When ordering, please indicate Model Number and Extensions - Examples: 4HWF6M-6000-25-D; 4HWF6M-6000-35-E

model number	model number extensions				load rating (lb)			wire rope dia. (in)	line speed (fpm)		drum capacity (ft) ¹ approx.			ship wt. (lb)
	load rating	line speed	motor codes	motor hp	1st layer	mid drum	full drum		1st layer	full drum	1st layer	mid drum	full drum	
4HWF1M	1500	25	D, E, F	1.5	1500	900	700	1/4	23	52	43	370	830	190
4HWF1M	1500	35	D, E, F	2	1500	900	700	1/4	32	73	43	370	830	190
4HWF2M	2000	25	D, E, F	2	2200	1500	1200	5/16	22	40	41	230	500	235
4HWF2M	2000	35	D, E, F	3	2200	1500	1200	5/16	34	63	41	230	500	255
4HWF4M	4000	25	D, E, F	3	4000	2500	1800	7/16	21	47	60	510	1140	480
4HWF4M	4000	35	D, E, F	5	4000	2500	1800	7/16	35	78	60	510	1140	480
4HWF6M	6000	25	D, E, F	5	6000	4400	3400	1/2	24	42	66	350	770	650
4HWF6M	6000	35	D, E, F	7.5	6000	4400	3400	1/2	35	61	66	350	770	705
4HWF8M	8000	25	D, E, F	7.5	8100	5800	4500	5/8	27	47	78	440	990	1120
4HWF8M	8000	35	D, E, F	10	8100	5800	4500	5/8	39	64	78	440	990	1180

Motor Codes

D	230 volt	3 phase
E	460 volt	3 phase
F	All other voltages – please contact factory.	

¹ Actual drum capacities 25-30% less, due to nonuniform winding. Wire rope tension will also affect drum capacity.

Please contact factory or nearest Thern Distributor for firm fixed price and delivery.

Notes:

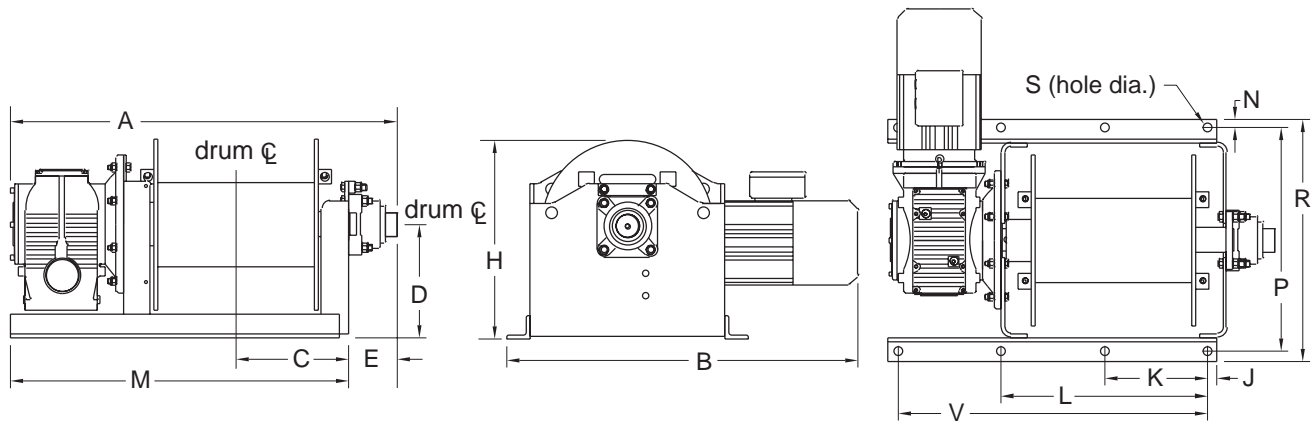
- For magnetic reversing starters see page 48.
- See page 47 for detailed information on standard drum control switches.
- Custom controls are available including wireless remote control, variable speed control, electronic overload, and enclosures for special environments.

Electric Motor Controls – Please Order Separately – Section 8

model	description	approx. ship wt.
EL4020	electric motor controls 230/3/60 to 3 hp	25 lb
EL4029	electric motor controls 230/3/60 to 7.5 hp	25 lb
EL4030	electric motor controls 230/3/60 to 10 hp	28 lb
EL4021	electric motor controls 460/3/60 to 7.5 hp	25 lb
EL4032	electric motor controls 460/3/60 to 15 hp	25 lb

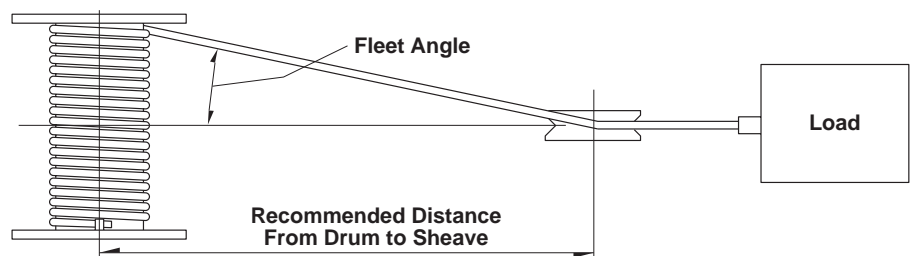
Controls include NEMA 4 rated enclosure, and NEMA 4x rated pendant control on 50 foot cord. Please contact factory or nearest Thern Distributor for firm fixed price and delivery. All prices include mounting and wiring to motor.

See Dimensions on Next Page

Front View
Side View
Top View

Series 4HWF – Winch Dimensions (in)

model extension	A	B	C	D	E	H	J	K	L	M	N	P	R	S (hole dia.)	V
4HWF1M-1500-25	25.50	27.00	7.56	8.00	2.38	14.00	1.00	10.00	20.00	22.56	.62	15.75	17.00	.59	–
4HWF1M-1500-35	25.50	27.00	7.56	8.00	2.38	14.00	1.00	10.00	20.00	22.56	.62	15.75	17.00	.59	–
4HWF2M-2000-25	26.25	28.00	7.56	8.00	2.38	14.00	1.00	10.00	20.00	22.56	.62	15.75	17.00	.59	–
4HWF2M-2000-35	26.25	29.75	7.56	8.00	2.38	14.00	1.00	10.00	20.00	22.56	.62	15.75	17.00	.59	–
4HWF4M-4000-25	38.75	35.00	11.50	12.00	5.12	21.00	1.00	15.25	30.50	33.38	1.00	24.00	26.00	.88	–
4HWF4M-4000-35	38.75	35.00	11.50	12.00	5.12	21.00	1.00	15.25	30.50	33.38	1.00	24.00	26.00	.88	–
4HWF6M-6000-25	40.75	36.00	11.50	12.00	5.12	21.00	1.00	15.25	30.50	33.38	1.00	24.00	26.00	.88	–
4HWF6M-6000-35	40.75	39.00	11.50	12.00	5.12	21.00	1.00	15.25	30.50	33.38	1.00	24.00	26.00	.88	–
4HWF8M-8000-25	49.75	43.25	14.50	14.50	6.25	25.50	1.25	13.25	26.50	43.50	1.12	28.75	31.00	1.12	39.75
4HWF8M-8000-35	49.75	45.25	14.50	14.50	6.25	25.50	1.25	13.25	26.50	43.50	1.12	28.75	31.00	1.12	39.75

Dimensions are for reference only and subject to change without notice. Please contact factory for exact dimensions.



Authorized Sales & Service

J. HERBERT CORPORATION

Call 1-800-255-0588

407-846-0588 Fax: 846-1066

info@jherbertcorp.com

Visit us online:

www.jherbertcorp.com

Important:

It is the owner's or operator's responsibility to determine the suitability of the equipment to its intended use. Study all applicable codes, manuals, and regulations. Be sure to read the Owner's Manual supplied with the equipment before operating it.

Series 4HWF – Drum Dimensions

series	drum diameter	flange diameter	drum width	fleet angle distance ⁴
4HWF1M	4.50 in	12.00 in	10.00 in	16 ft
4HWF2M	5.50 in	12.00 in	10.00 in	16 ft
4HWF4M	7.00 in	18.00 in	16.00 in	26 ft
4HWF6M	9.00 in	18.00 in	16.00 in	26 ft
4HWF8M	10.75 in	22.00 in	20.00 in	32 ft

Dimensions are for reference only and subject to change without notice.

Please contact factory for exact dimensions.

⁴ Recommended minimum distance between drum and lead sheave for smooth drum.