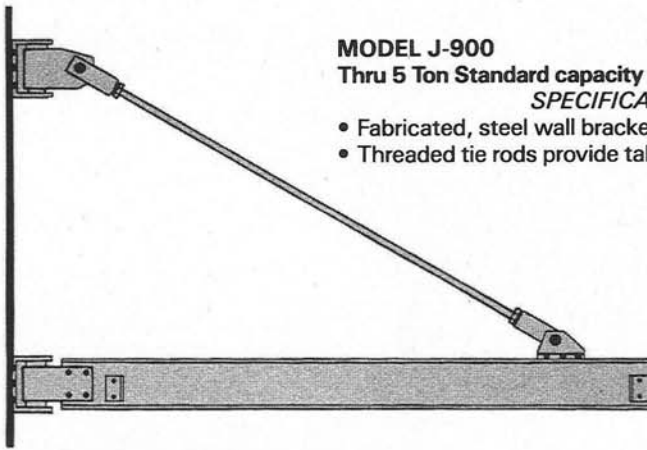


W A L L B R A C K E T

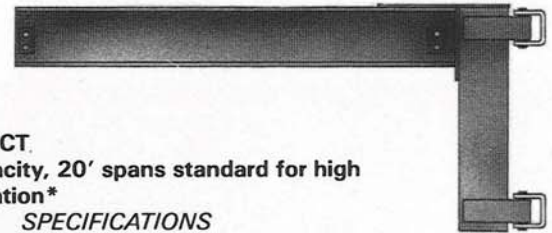


MODEL J-900
Thru 5 Ton Standard capacity 200° maximum rotation*
SPECIFICATIONS

- Fabricated, steel wall bracket fittings with bearings.
- Threaded tie rods provide take-up for boom leveling.

Authorized Sales & Service
J. HERBERT CORPORATION
Call 1-800-255-0588
407-846-0588 Fax: 846-1066
info@jherbertcorp.com

Visit us online:
www.jherbertcorp.com



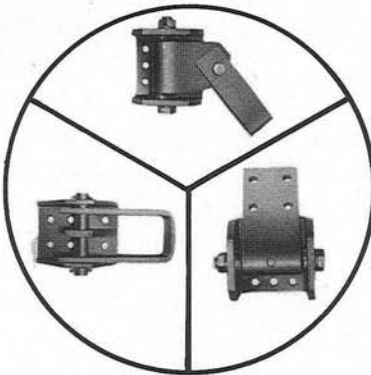
MODEL J-906FCT
Thru 5 ton capacity, 20' spans standard for high hook lift application*

SPECIFICATIONS

- Conservably designed mast resists torsional forces from off-center loading.
- Fabricated steel hinge fittings with bearings.
- Boom is preset to compensate for deflection under load.

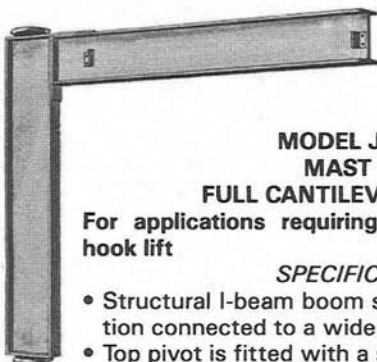
***LARGER CAPACITY AND SPECIAL CONFIGURATIONS AVAILABLE.**

AVAILABLE IN MOTORIZED VERSIONS—CONSULT FACTORY



- **ABELL-HOWE WALL BRACKET JIB CRANE FITTING**
Make your own J-900 Jib Crane using the same quality hinge fitting used on all Abell-Howe J-900 Jibs. Kit includes Upper Tie Rod Hinges; Lower Boom Hinge; and, Boom End Tie Rod Connector. For capacities of 1 to 5 tons. Complete instructions included. You provide I-beam, tie rods and assembly.
- **ABELL-HOWE FULL CANTILEVER JIB CRANE FITTING**
Make your own J906FCT Jib Crane up to 2 ton capacity.

M A S T

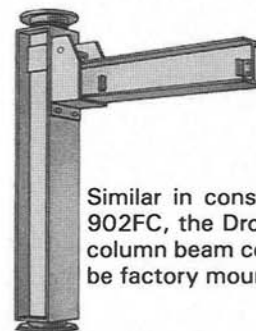


MODEL J-902FC
MAST TYPE
FULL CANTILEVER JIB CRANE

For applications requiring the maximum possible hook lift

SPECIFICATIONS

- Structural I-beam boom sized for minimum deflection connected to a wide flange upright mast.
- Top pivot is fitted with a self-aligning Bushing.
- Bottom Pivot features a bushing with thrust washer.



MODEL J-902FC
DROP BOOM

Similar in construction to the mast type Model J-902FC, the Drop Boom version features an optional column beam connection which permits the beam to be factory mounted at any point on the column.