

# Standard Posi-Turner®



The Caldwell Group • 800-628-4263 • www.caldwellinc.com

Posi-Turner® Section  
2014-2016 Master Catalog

## Standard - Fixed Bail

The core feature of the Posi-Turner® is the smooth and controlled rotation. The Posi-Turner® suspends and rotates objects 360 degrees or more with controlled rotation. This series of photos, featuring a twin bail unit, shows how rotation with the Posi-Turner® is efficient and damage free.



- Fixed Posi-Turner® will rotate load during lift.
- Custom sizes are available.
- Push button pendant control standard
- Complies with ASME standards.

See page C.18 for complete list of product options.

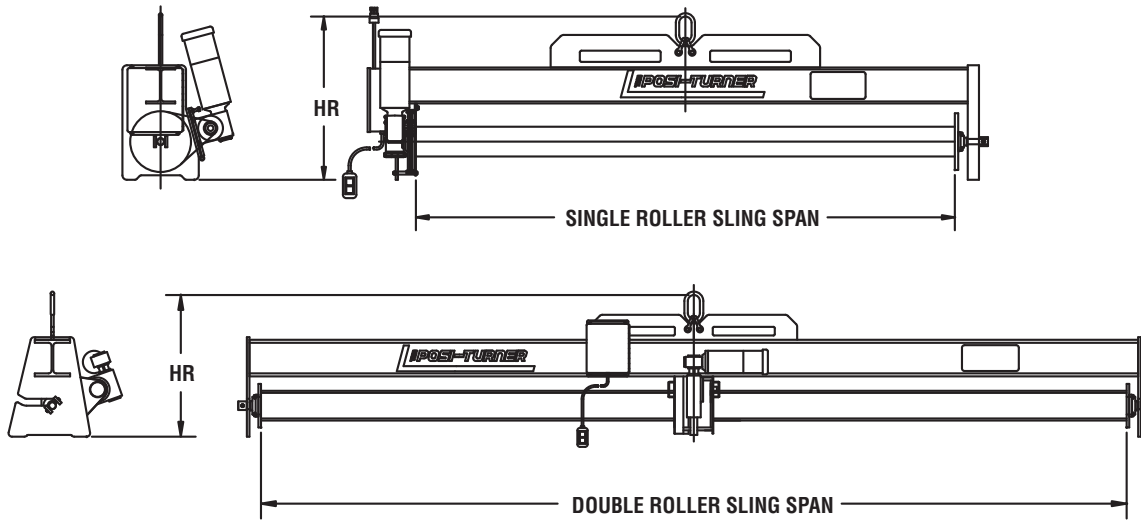


*Authorized Sales & Service*  
**J. HERBERT CORPORATION**  
Call 1-800-255-0588  
407-846-0588 Fax: 846-1066  
info@jherbertcorp.com  
**Visit us online:**  
www.jherbertcorp.com

To determine the proper Posi-Turner® required for your specific application, please fill in the Posi-Turner® application evaluation on page C.20 or line at [www.caldwellinc.com/applications](http://www.caldwellinc.com/applications).

# Standard Posi-Turner®

## Standard - Fixed Bail



### SPECIFICATIONS Application evaluation required; consult factory for additional information.

Model Number	Rated Capacity (lbs.)	Maximum Sling Span (in.)	Roller		HR Headroom (in.)	Unit Weight (lbs.)
			Single / Double	Dia. (in.)		
5FS-72	500	72	S	2.0	14.5	245
1FS-48	1000	48	S	2.0	14.5	225
1.5FS-72	1500	72	S	4.0	28	365
1.5FS-84		84	S	4.0	28	400
1.5FS-96		96	S	4.0	28	430
1.5FS-108		108	S	4.0	28	455
1.5FS-120		120	S	4.0	28	480
2FS-80	2000	80	S	5.6	32.5	750
2FS-120		120	S	5.6	32.5	1050
2FS-250		250	D	5.6	35	2250
3FS-80	3000	80	S	5.6	32.5	750
3FS-120		120	S	5.6	32.5	1200
3FS-250		250	D	5.6	35	2550
4FS-80	4000	80	S	6.6	36.4	900
4FS-120		120	S	6.6	36.4	1300
4FS-250		250	D	6.6	39	2900
6FS-80	6000	80	S	8.6	36.4	1000
6FS-120		120	S	8.6	36.3	1500
6FS-250		250	D	8.6	39	3200
10FS-80	10000	80	S	8.6	38.8	2200
10FS-120		120	S	8.6	38.8	2300
10FS-250		250	D	8.6	41	4200
16FS-80	16000	80	S	10.8	45	3000
16FS-120		120	S	10.8	45	3600
16FS-250		250	D	6.6	47	4600
22FS-150	22000	150	D	6.6	45	3300
22FS-270		270	D	6.6	51	4900
33FS-150	33000	150	D	8.6	53	3900
33FS-270		270	D	8.6	54	7900
44FS-150	44000	150	D	10.8	60	5700
44FS-270		270	D	10.8	61	9700
55FS-150	55000	150	D	10.8	63	5700
55FS-270		270	D	10.8	70	13200
66FS-150	66000	150	D	10.8	69	8000
66FS-270		270	D	10.8	75	17800
88FS-150	88000	150	D	10.8	75	10800
88FS-270		270	D	10.8	83	23700
110FS-150	110000	150	D	12.8	75	12900
110FS-270		270	D	12.8	86	27900